

SCANDAL COLLECTION

WALL SCONCE TALL

SPECIFICATION SHEET

AUSTRALIA / INTERNATIONAL



ARTICOLO

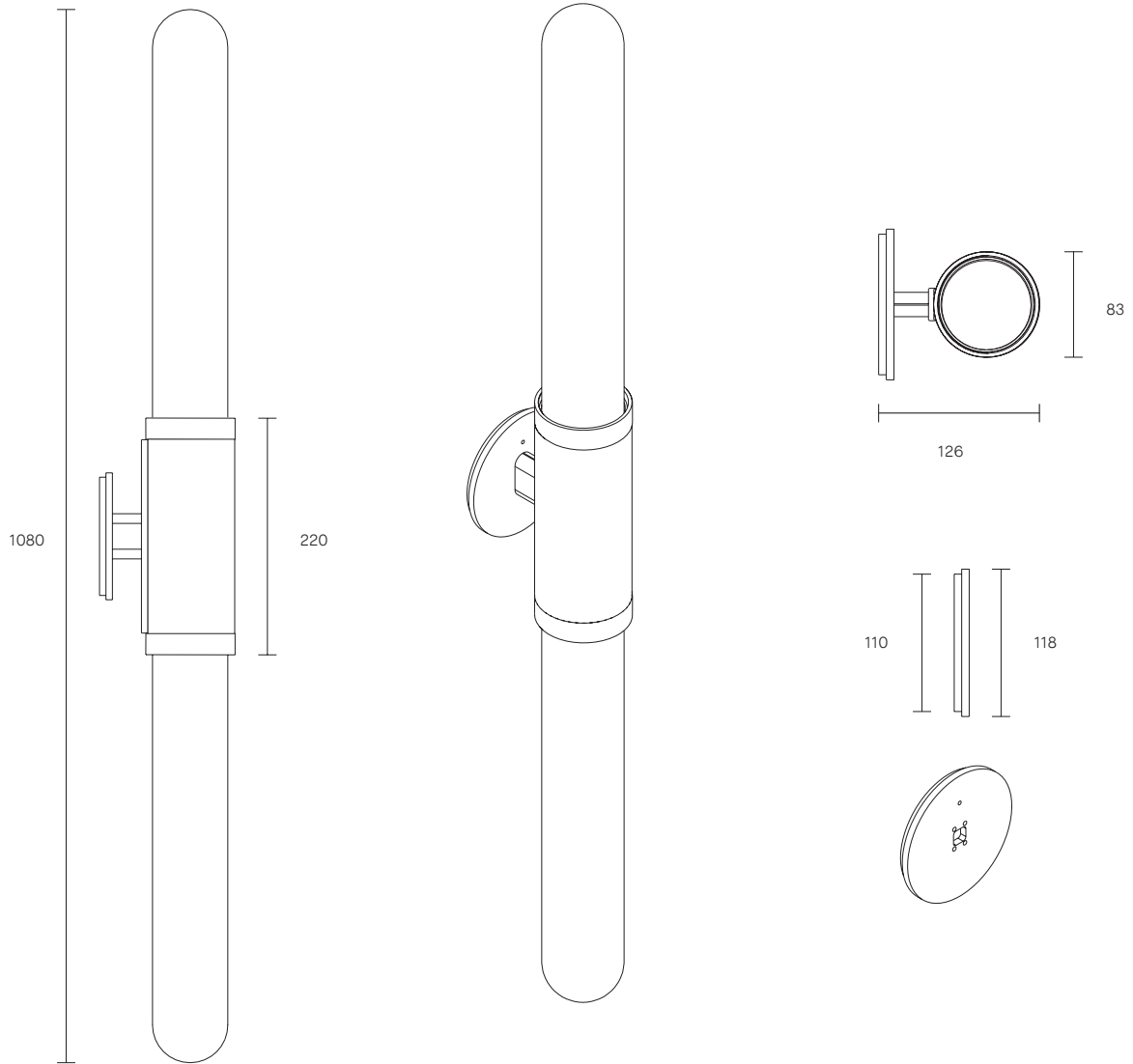
SCANDAL COLLECTION

WALL SCONCE TALL

SPECIFICATION SHEET

AUSTRALIA / INTERNATIONAL

SA_WST_S_AU_19V2



ABOUT SCANDAL

Scandal is a collection of Pendants and Wall Sconces that casts a slim and finely considered silhouette.

Notable for its barrel-like cuff and inlaid with exquisite brass mesh hand-woven in Paris.

Scandal's elongated proportions are capped end-to-end by rounded glass that conceals the light source, exemplifying the quiet brilliance of artisanal glass and metalwork.

LEAD TIME

6 - 8 weeks

LIGHT SOURCE

2 x 12V 7W LED MR16 GU5.3
1000 Total Lumen Output

INSTALLATION

Supplied with external driver

WEIGHT

5 kg

FITTING FINISHES

Brass (cover)

Mid Bronze

Satin Nickel

INLAY

Brass Mesh (cover)

Latte Leather

Navy Leather

SHADE COMBINATIONS

White Frost (cover)

Clear Fluted