

# SCANDAL COLLECTION

TALL WALL SCONCE

UL SPECIFICATION SHEET

NORTH AMERICA



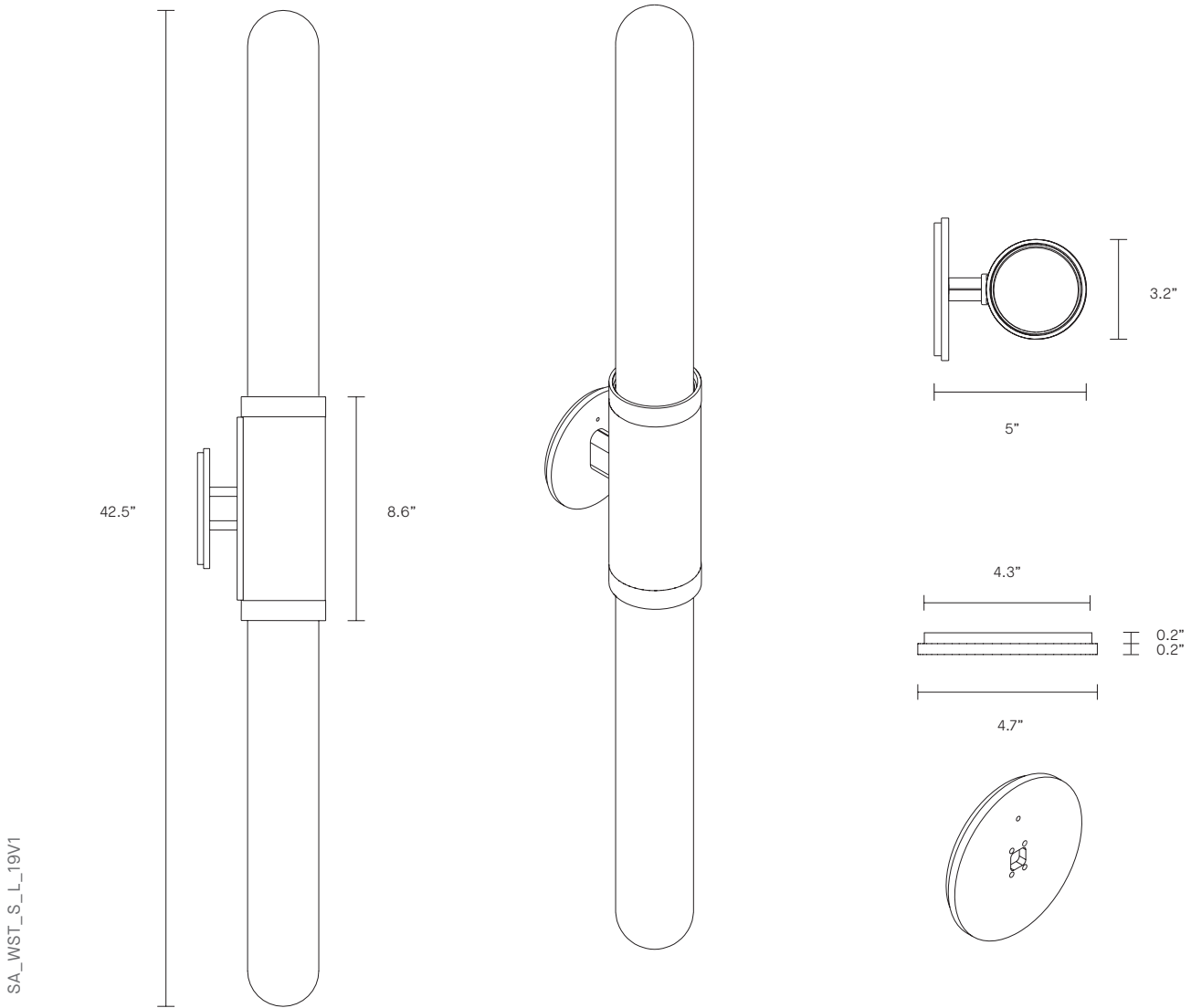
ARTICOLO

# SCANDAL COLLECTION

## TALL WALL SCONCE

## UL SPECIFICATION SHEET

NORTH AMERICA



### ABOUT SCANDAL

Scandal is a collection of Pendants and Wall Sconces that casts a slim and finely considered silhouette.

Notable for its barrel-like cuff and inlaid with exquisite Antique Brass Mesh or Latte Leather

Scandal's elongated proportions are capped end-to-end by rounded glass that conceals the light source, exemplifying the quiet brilliance of artisanal glass and metalwork.

### LEAD TIME

8 - 10 weeks

### LIGHT SOURCE

2 x 12V 5W LED MR16 GU5.3  
700 Lumens Total

Supplied with external driver  
(Hatch RS12-15M-LED  
2.25x1.25x0.75)

Dimmable (Luxtron/Diva/CL)

### INSTALLATION

Supplied with mounting plate to  
fit 4.0/3.5 Jbox

### WEIGHT

11 lb

### FITTING FINISHES

Brass (cover)

Mid Bronze

Satin Nickel

### INLAY

Brass Mesh (cover)

Latte Leather

Navy Leather

### SHADE COMBINATIONS

White Frost (cover)

Clear Fluted