

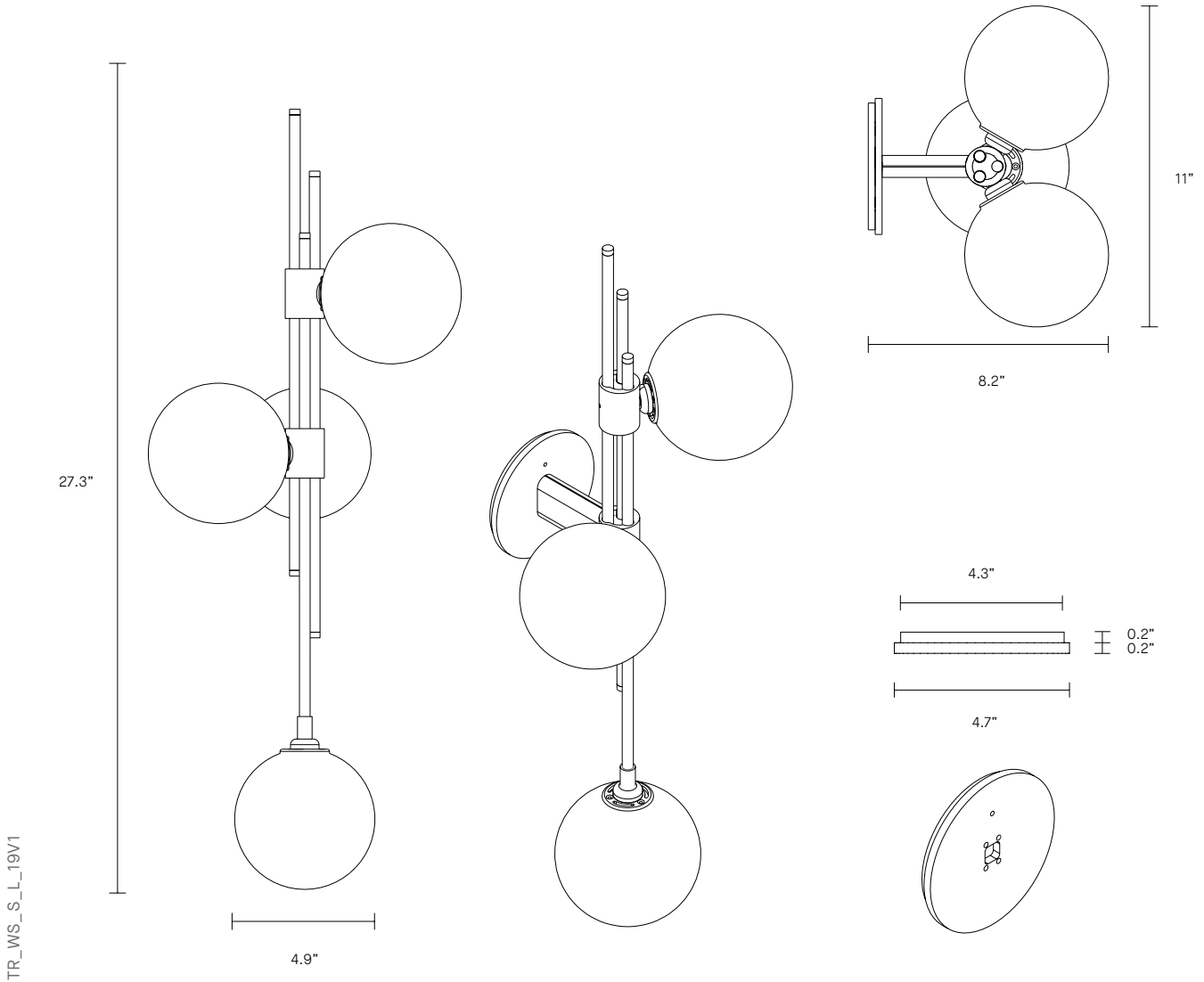


# TRIOLOGY COLLECTION

## WALL SCONCE

## UL SPECIFICATION SHEET

NORTH AMERICA



TR\_WS\_S\_L\_19V1

### ABOUT TRIOLOGY

Originally conceived as a sculptural pendant, has been reimagined as a stunning Wall Sconce, it's light source concealed within a trio of mouth-blown glass orbs.

Trilogy exemplifies deceptively sophisticated engineering, a hallmark of the studio's growing body of work.

### LEAD TIME

8 - 10 weeks

### LIGHT SOURCE

3 x 12V, G4 2W LED 2700K  
280 lumens

Supplied with external driver  
(Hatch RS12-15M-LED  
2.25x1.25x0.75)

Dimmable (Luxtron/Diva/CL)

### INSTALLATION

Supplied with mounting plate to  
fit 4.0/3.5 Jbox

### WEIGHT

15lb

### FITTING FINISHES

Brass (cover)  
Mid Bronze

### SHADE

Fizi  
Scandi  
Spoti Black  
Spoti White  
Drunken Emerald (cover)