

FIZI COLLECTION
SLAB PENDANT

SPECIFICATION SHEET
AUSTRALIA / INTERNATIONAL



ARTICOLO

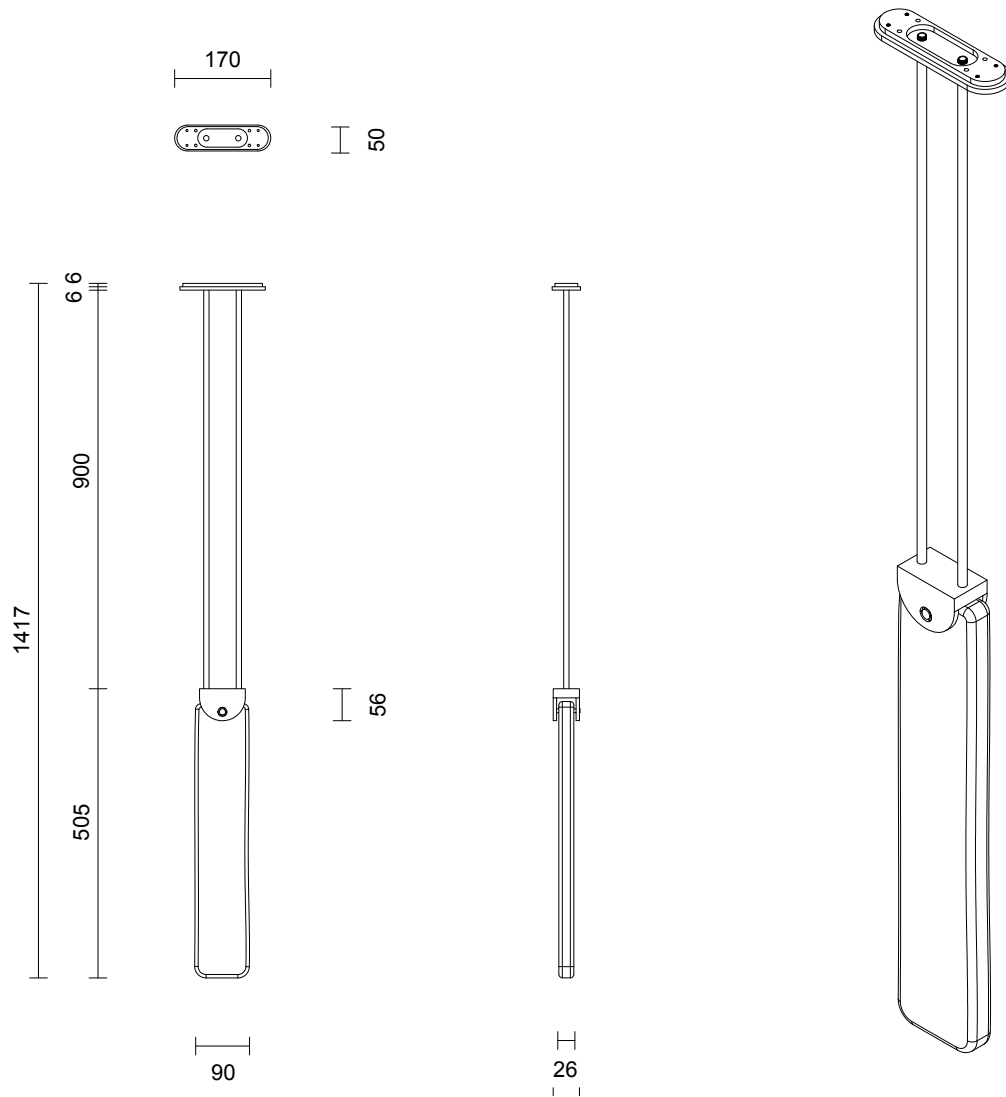
FIZI COLLECTION

SLAB PENDANT

SPECIFICATION SHEET

AUSTRALIA / INTERNATIONAL

SL_P_AU_21V4



ABOUT FIZI SLAB

The Fizi Slab embodies Sculptural light Art. Dramatic elongated effervescence suspended within a solid glass sculptural form. Breathtaking in its unique and organic beauty. Wall and ceiling jewellery enchanting any space.

LEAD TIME

6 - 8 weeks

LIGHT SOURCE

24V 1.8W LED strip
3000k warm white
80 lumens

INSTALLATION

Supplied with external driver

CUSTOMISATION

Variations to rod length can be specified at time of order placement
Standard drop length up to 1200mm. Additional charge will apply for longer drop lengths, price upon request.

WEIGHT

5kg

FITTING FINISH

Brass
Mid Bronze
Satin Nickel
Black Electroplate

SHADE COLOURS

Fizi
Grey
Drunken Emerald
Tea
Abyss

CERTIFICATION

CE/AU

WARRANTY

3 years