

FIZI COLLECTION
SLAB PENDANT

SPECIFICATION SHEET
AUSTRALIA / INTERNATIONAL



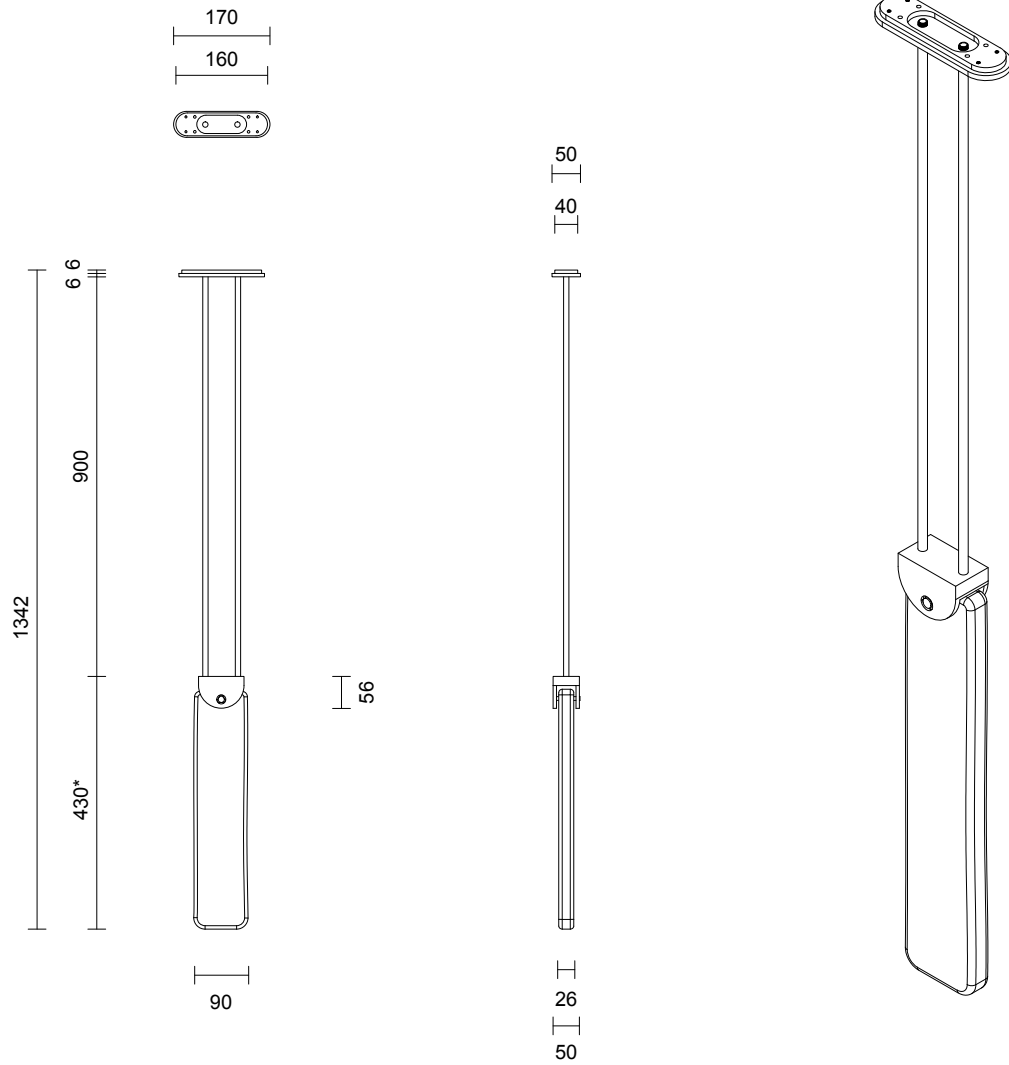
ARTICOLO

FIZI COLLECTION

SLAB PENDANT

SPECIFICATION SHEET

AUSTRALIA / INTERNATIONAL



SL_P_AU_21V9

ABOUT FIZI SLAB

The Fizi Slab embodies Sculptural light Art. Dramatic elongated effervescence suspended within a solid glass sculptural form. Breathtaking in its unique and organic beauty. Wall and ceiling jewellery enchanting any space.

* PLEASE NOTE

Shade dimensions inclusive of overall height may vary marginally due to the nature of mouth blown glass.

LEAD TIME

6 - 8 weeks

LIGHT SOURCE

4.25W CC LED Board 0.5A
2700k warm white
400 lumens
Dimmable

INSTALLATION

Supplied with external driver

ROD LENGTH

Rod lengths range between 600mm - 1300mm, in increments of 100mm.

WEIGHT

5kg

FITTING FINISHES

Brass
Mid Bronze
Satin Nickel
Black Electroplate

SHADE COLOURS

Fizi
Grey
Drunken Emerald
Tea
Abyss

CERTIFICATION

CE/AU

WARRANTY

3 years