

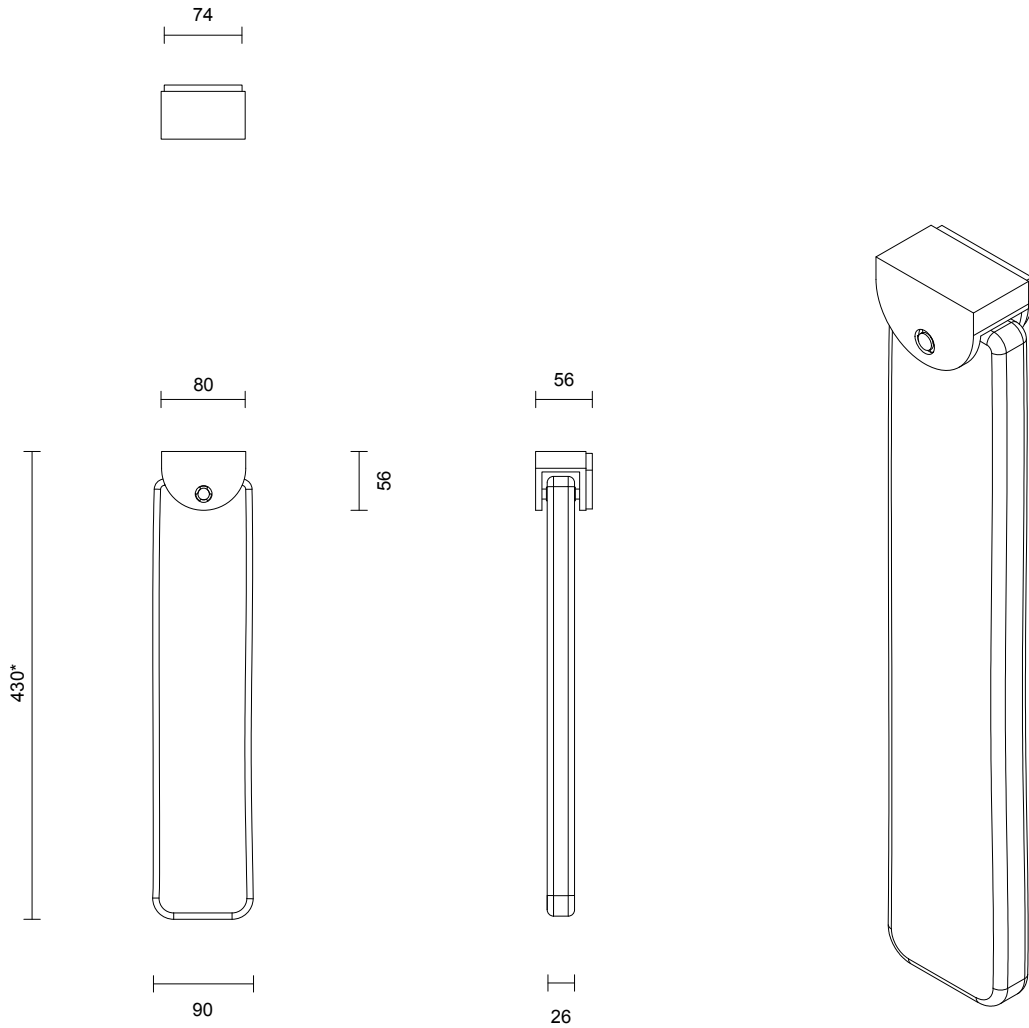


FIZI COLLECTION

SLAB WALL SCONCE

SPECIFICATION SHEET

AUSTRALIA / INTERNATIONAL



FI_SWS_AU_21V9

ABOUT FIZI SLAB

The Fizi Slab embodies Sculptural light Art. Dramatic elongated effervescence suspended within a solid glass sculptural form. Breathtaking in its unique and organic beauty. Wall and ceiling jewellery enchanting any space.

* PLEASE NOTE

Shade dimensions inclusive of overall height may vary marginally due to the nature of mouth blown glass.

LEAD TIME

6 - 8 weeks

LIGHT SOURCE

4.25W CC LED Board 0.5A
2700k warm white
400 lumens
Dimmable

INSTALLATION

Supplied with external driver

WEIGHT

5kg

FITTING FINISH

Brass
Mid Bronze
Satin Nickel
Black Electroplate

SHADE COLOURS

Fizi
Grey
Drunken Emerald
Tea
Abyss

CERTIFICATION

CE/AU

WARRANTY

3 years