

SCANDAL COLLECTION  
SHORT PENDANT

SPECIFICATION SHEET  
AUSTRALIA / INTERNATIONAL



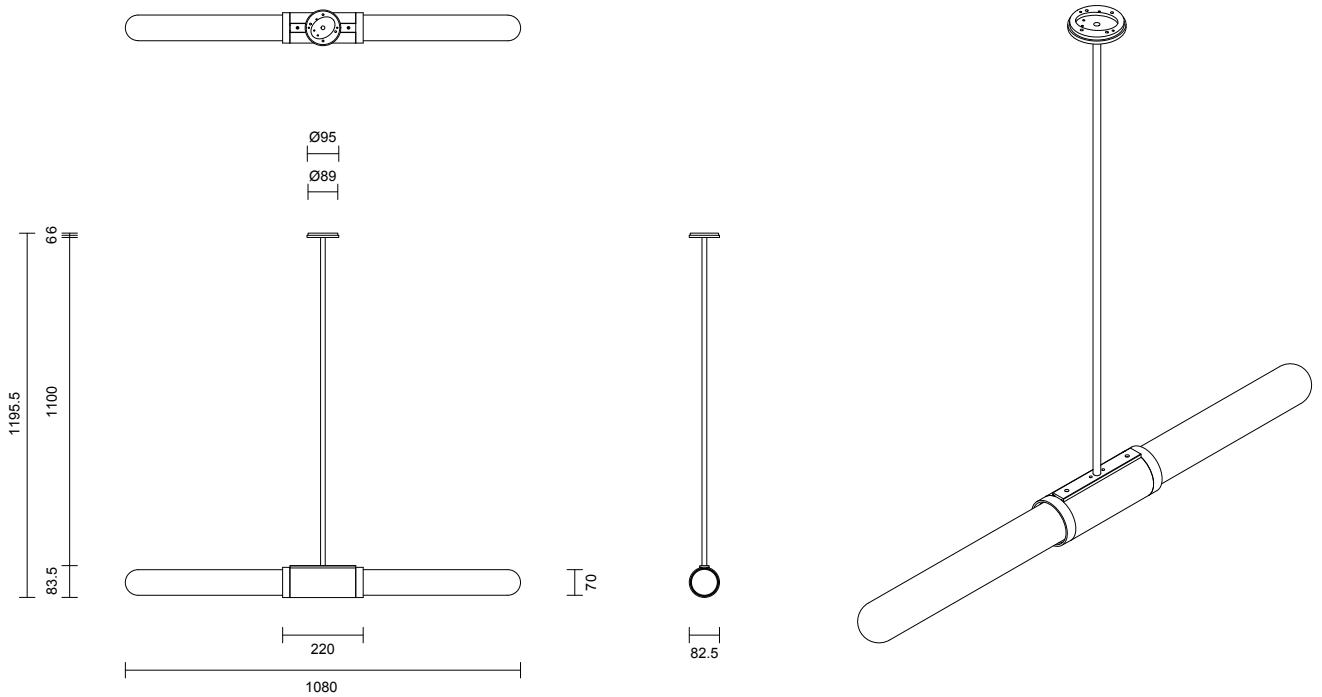
ARTICOLO

# SCANDAL COLLECTION

## SHORT PENDANT

## SPECIFICATION SHEET

AUSTRALIA / INTERNATIONAL



SA\_SP\_AU\_21V3

### ABOUT SCANDAL

The unification of luxurious crafts exists through the Scandal Collection. Scandal casts a slim and finely considered silhouette. Notable for its barrel-like cuff and inlay Scandal's elongated proportions are capped end-to-end by rounded mouthblown glass that conceals the light source, exemplifying the quiet brilliance of artisanal glass and metalwork.

### LEAD TIME

6 - 8 weeks

### LIGHT SOURCE

2 x 12V 7W LED MR16 GU5.3  
2700K warm white  
1000 total lumen output  
Dimmable  
Lamps included

### INSTALLATION

Supplied with external driver

### ROD LENGTH

Rod lengths range between  
400mm - 1600mm, in  
increments of 100mm.

### WEIGHT

6kg

### FITTING FINISHES

Brass  
Mid Bronze  
Satin Nickel  
Black Electroplate

### INLAY

Brass Mesh  
Silver Mesh  
Rose Gold Mesh  
Latte Leather  
Navy Leather

### SHADE COLOURS

Snow

### CERTIFICATION

CE/AU

### WARRANTY

3 years