

FLOAT COLLECTION  
HOVER SHORT WALL SCONCE

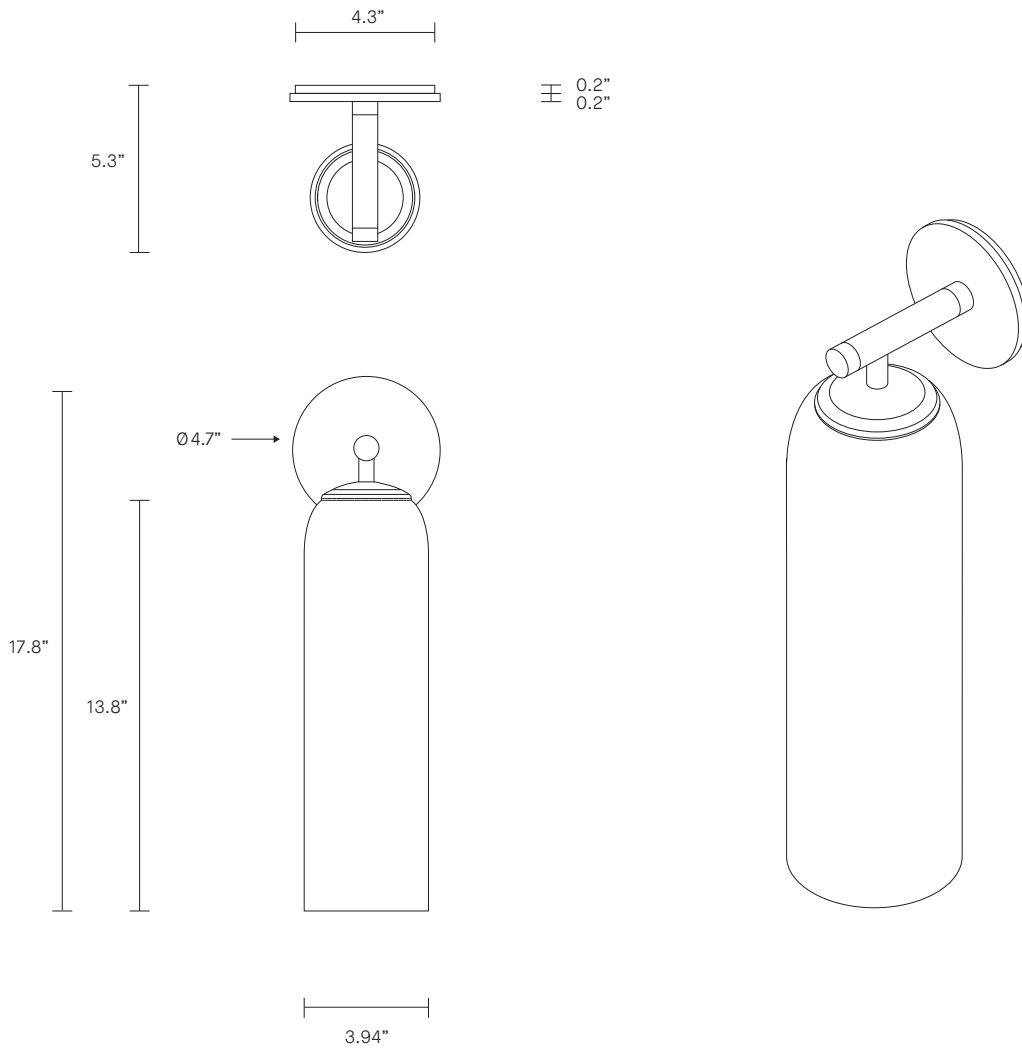
UL SPECIFICATION SHEET  
NORTH AMERICA



ARTICOLO

FLOAT COLLECTION  
HOVER SHORT WALL SCONCE

UL SPECIFICATION SHEET  
NORTH AMERICA



FL\_HSWS\_UL\_20V3

**ABOUT FLOAT**

Float is a collection of refined lighting informed by glamorous design cues of a bygone era and defined by its soaring cylindrical form.

The collection continues Articolò's exploration of the richly storied nature of artisanship. Each mouth-blown piece is tirelessly perfected and uniquely individual. Born as an acclaimed Wall Sconce, today Float is also available as a Pendant and Table Lamp in multiple iterations.

**LEAD TIME**

8 - 10 weeks

**LIGHT SOURCE**

GU5.3 MR16 7W LED  
2700K warm white  
500 lumens  
Dimmable  
Globe included

**WEIGHT**

8 lb

**INSTALLATION**

Supplied with an external driver and mounting plate to fit 4.0/3.5 Jbox  
Escutcheons may be ordered to conceal Jbox openings where needed

**FITTING FINISHES**

Brass (shown)  
Mid Bronze  
Articolo Black  
Matte White  
Electroplate Black  
Satin Nickel

**SHADE COLOURS**

Snow (shown)

**ARM INLAY**

Latte Leather (shown)  
Navy Leather

**CERTIFICATION**

US/ETL/CA

**WARRANTY**

3 years

