

INDI COLLECTION

EXTRA LARGE DOUBLE PENDANT

SPECIFICATION SHEET

AUSTRALIA / INTERNATIONAL



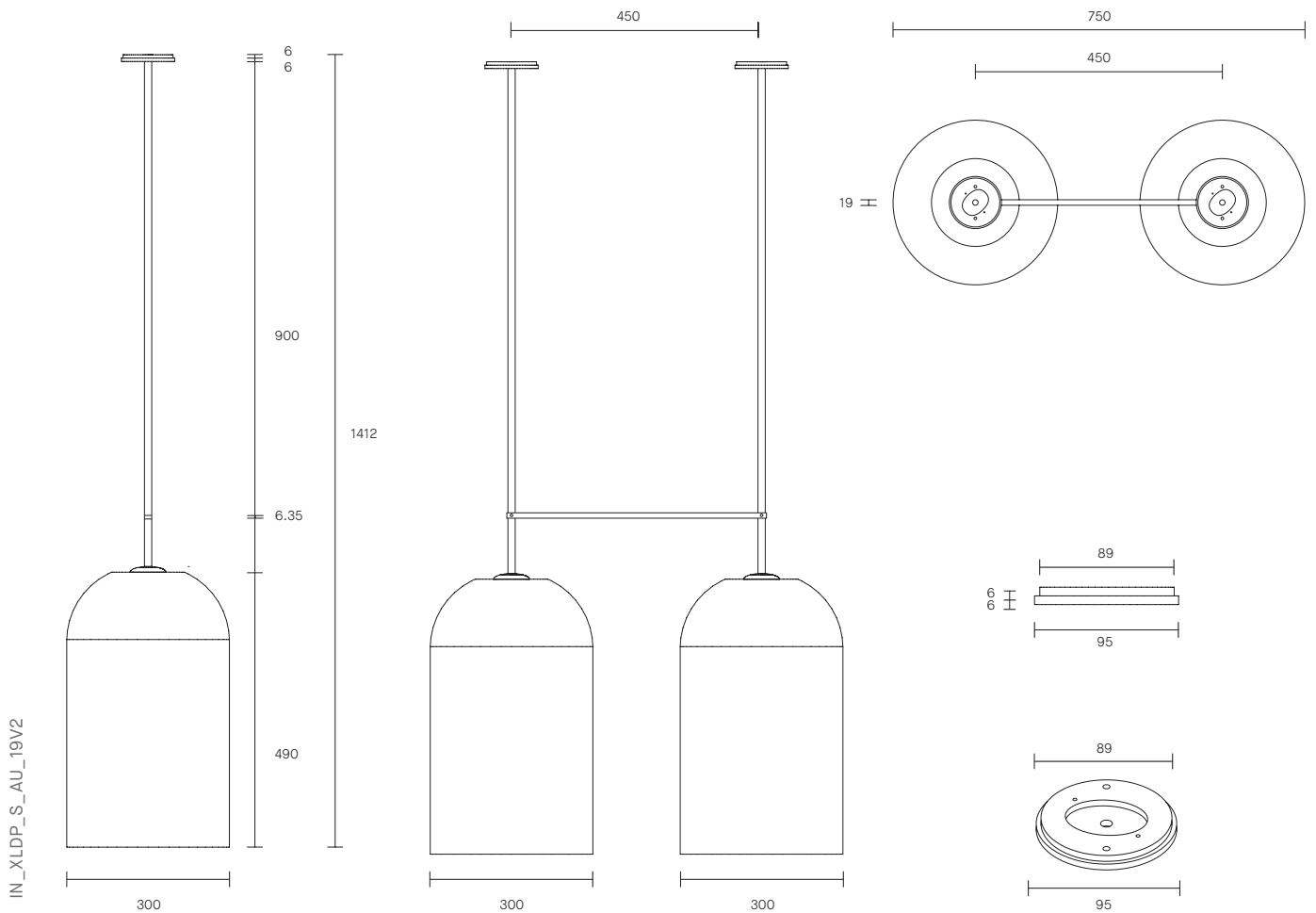
ARTICOLO

INDI COLLECTION

EXTRA LARGE DOUBLE PENDANT

SPECIFICATION SHEET

AUSTRALIA / INTERNATIONAL



ABOUT INDI

A relaxed yet striking design, the handcrafted Indi collection embodies the beauty of black with pared back simplicity

Honest materials unite with detailed craftsmanship, each Indi shade is individually woven by skilled artisan hands.

The Indi shade is removable for easy cleaning.

Indi is available in wall sconce, pendant, table lamp, floor lamp.

LEAD TIME

6 - 8 weeks

LIGHT SOURCE

2 x 240V, E14, 95mm 60W
Convertible

Dimmable

WEIGHT

22 kg

DIMENSIONS

Variations to rod length and spacing bar width can be specified at time of order placement

FITTING FINISH

Articolo Black
Matte White
Brass
Mid Bronze (cover)

SHADE COMBINATIONS

Black and natural
weave on clear
glass shade
Black weave on
clear glass shade (cover)