

INDI COLLECTION
EXTRA LARGE DOUBLE PENDANT

UL SPECIFICATION SHEET
NORTH AMERICA

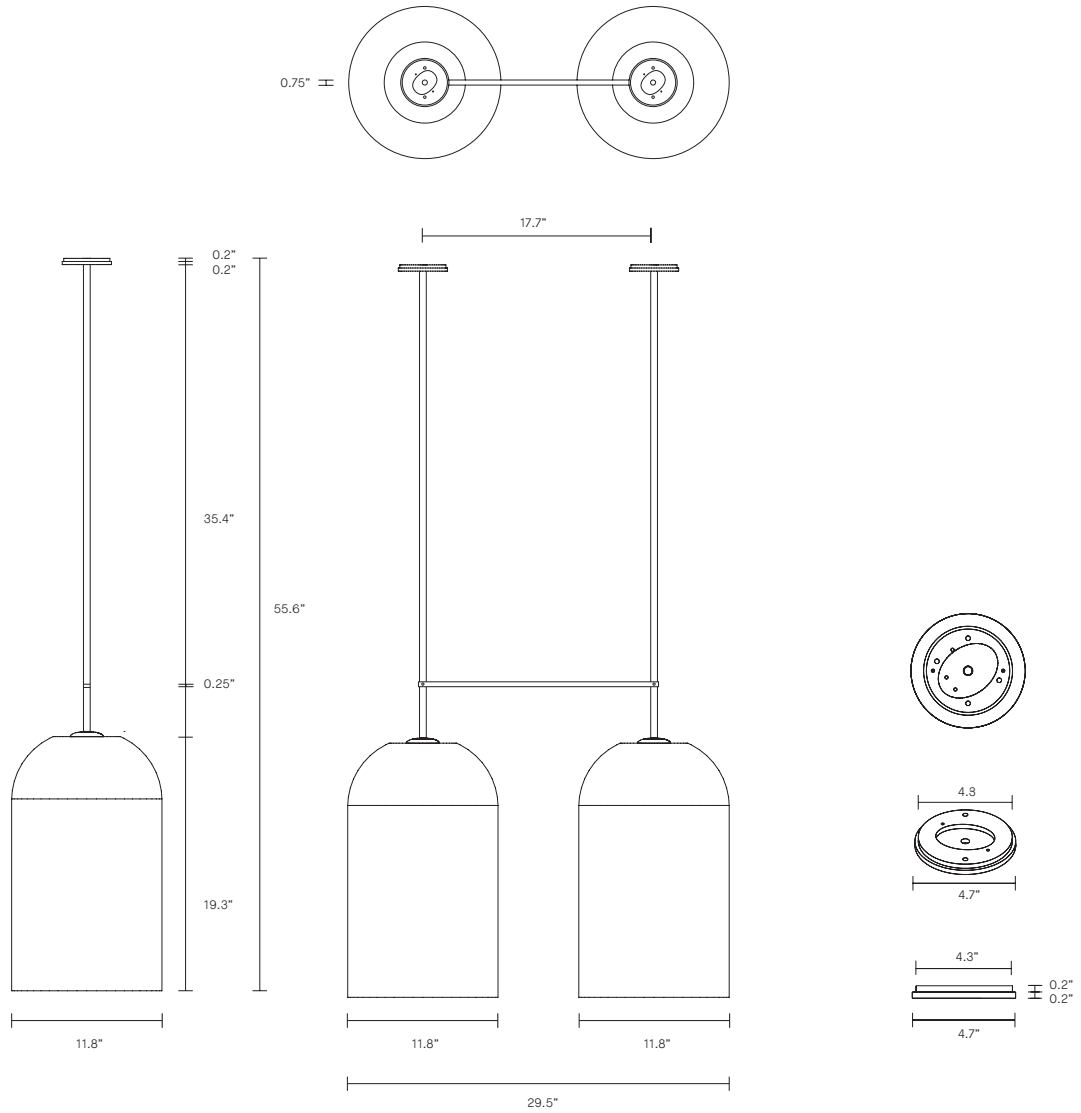


ARTICOLO

INDI COLLECTION
EXTRA LARGE DOUBLE PENDANT

UL SPECIFICATION SHEET
NORTH AMERICA

IN_XLDP_S_L_18V3



ABOUT INDI

A relaxed yet striking design, the handcrafted Indri collection embodies the beauty of black with pared back simplicity

Honest materials unite with detailed craftsmanship, each Indri shade is individually woven by skilled artisan hands.

The Indri shade is removable for easy cleaning.

Indri is available in wall sconce, pendant, table lamp, floor lamp.

LEAD TIME

8 - 10 weeks

LIGHT SOURCE

2 x 110V E12 (60W) 3.7"

Dimmable

INSTALLATION

Supplied with mounting plate to fit 4.0/3.5 Jbox

WEIGHT

38lb

DIMENSIONS

Variations to rod length and spacing bar width can be specified at time of order placement

FITTING FINISH

Articolo Black

Matte White

Brass

Mid Bronze (cover)

SHADE COMBINATIONS

Black and natural weave on clear glass shade

Black weave on clear glass shade (cover)

