

INDI COLLECTION
EXTRA LARGE DOUBLE PENDANT

SPECIFICATION SHEET
AUSTRALIA / INTERNATIONAL



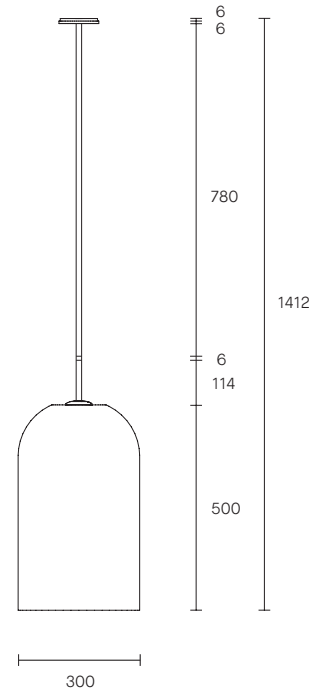
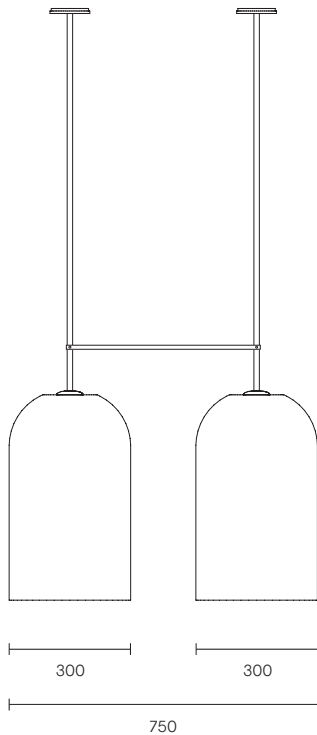
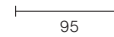
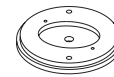
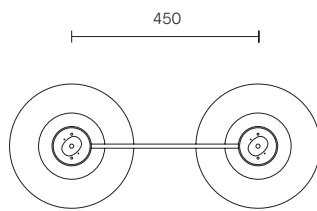
ARTICOLO

INDI COLLECTION

EXTRA LARGE DOUBLE PENDANT

SPECIFICATION SHEET

AUSTRALIA / INTERNATIONAL



IN_XLDP_S_AU_20V1

ABOUT INDI

A relaxed yet striking design, the handcrafted Indi collection embodies the beauty of black with pared back simplicity.

Honest materials unite with detailed craftsmanship, each Indi shade is individually woven by skilled artisan hands.

The Indi shade is removable for easy cleaning.

Indi is available in wall sconce, pendant, table lamp, floor lamp.

LEAD TIME

6 - 8 weeks

LIGHT SOURCE

2 x 240V E27 95mm 8W LED

2700K warm white

1400 total lumen output

Dimmable

Globes included

CUSTOMISATION

Variations to rod length and spacing bar can be specified at time of order placement

WEIGHT

18kg

FITTING FINISHES

Articolo Black

Matte White

Brass

Mid Bronze (shown)

SHADE COLOURS

Clear (shown)

WEAVE COLOURS

Black (shown)

Natural

Black and Natural

Sand

CERTIFICATION

CE/AU

WARRANTY

3 years