

INDI COLLECTION
EXTRA LARGE DOUBLE PENDANT

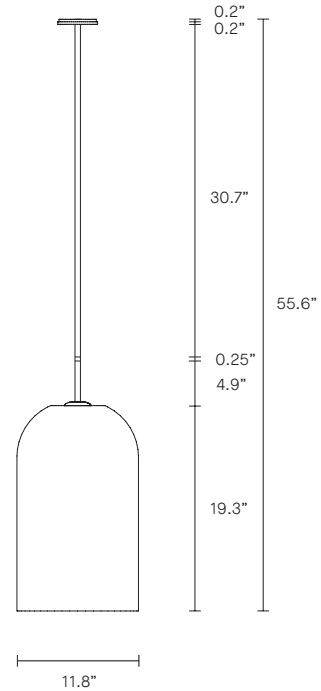
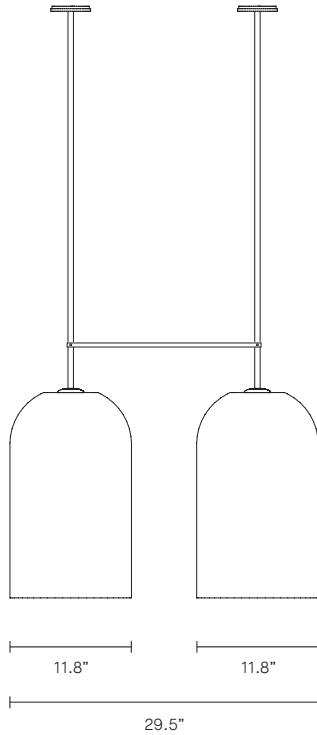
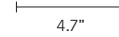
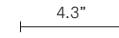
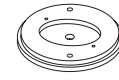
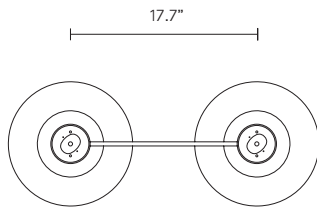
UL SPECIFICATION SHEET
NORTH AMERICA



ARTICOLO

INDI COLLECTION
EXTRA LARGE DOUBLE PENDANT

UL SPECIFICATION SHEET
NORTH AMERICA



IN_XLDP_S_UL_20V1

ABOUT INDI

A relaxed yet striking design, the handcrafted Indi collection embodies the beauty of black with pared back simplicity.

Honest materials unite with detailed craftsmanship, each Indi shade is individually woven by skilled artisan hands.

Indi shade is removable for easy cleaning.

Indi available in wall sconce, pendant, table lamp and floor lamp.

LEAD TIME

8 - 10 weeks

LIGHT SOURCE

2 X 110V E26 6W LED
2700K warm white
1200 total lumen output
Dimmable
Globes included

INSTALLATION

Supplied with mounting plate to fit 4.0/3.5 Jbox

CUSTOMISATION

Variations to rod length and spacing bar can be specified at time of order placement

WEIGHT

38 lb

FITTING FINISHES

Brass
Mid Bronze (shown)
Articolo Black
Matte White
Electroplate Black
Satin Nickel

SHADE COLOURS

Clear (shown)

WEAVE COLOURS

Black (shown)
Natural
Black and Natural
Sand

CERTIFICATION

US/ETL/CA

WARRANTY

3 years

