

INDI COLLECTION  
EXTRA LARGE DOUBLE PENDANT

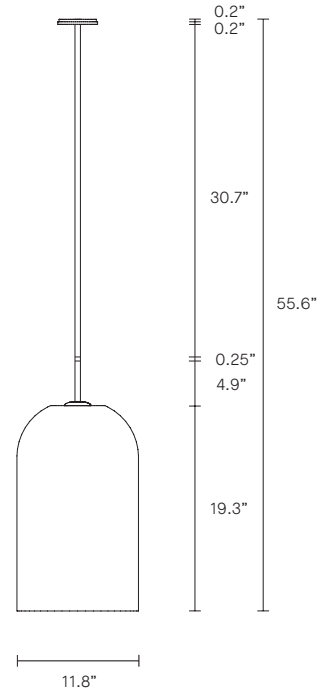
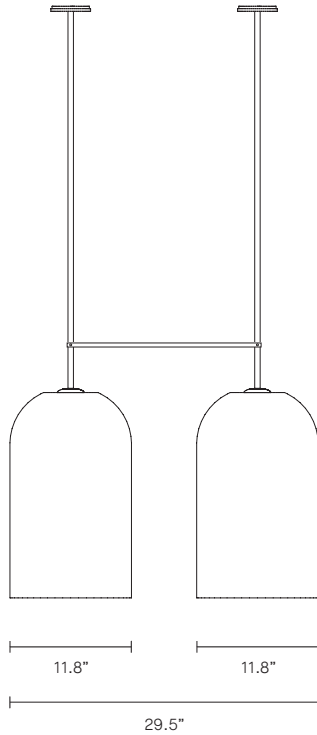
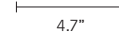
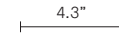
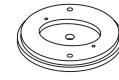
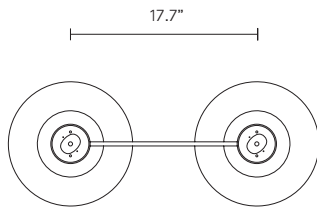
UL SPECIFICATION SHEET  
NORTH AMERICA



ARTICOLO

**INDI COLLECTION**  
EXTRA LARGE DOUBLE PENDANT

**UL SPECIFICATION SHEET**  
NORTH AMERICA



IN\_XLDP\_UL\_20V2

**ABOUT INDI**

A relaxed yet striking design, the handcrafted Indi collection embodies the beauty of black with pared back simplicity.

Honest materials unite with detailed craftsmanship, each Indi shade is individually woven by skilled artisan hands.

Indi shade is removable for easy cleaning.

Indi available in wall sconce, pendant, table lamp and floor lamp.

**LEAD TIME**

8 - 10 weeks

**LIGHT SOURCE**

2 x 120V E26 9W LED  
2700K warm white  
1600 total lumen output  
Dimmable  
Globes included

**INSTALLATION**

Supplied with mounting plate to fit 4.0/3.5 Jbox

**CUSTOMISATION**

Variations to rod length and spacing bar can be specified at time of order placement

**WEIGHT**

38 lb

**FITTING FINISHES**

Brass  
Mid Bronze (shown)  
Articolo Black  
Matte White  
Electroplate Black  
Satin Nickel

**SHADE COLOURS**

Clear (shown)

**WEAVE COLOURS**

Black (shown)  
Natural  
Black and Natural  
Sand

**CERTIFICATION**

US/ETL/CA

**WARRANTY**

3 years

