

MONI COLLECTION
EXTRA LARGE DOUBLE PENDANT

SPECIFICATION SHEET
AUSTRALIA / INTERNATIONAL

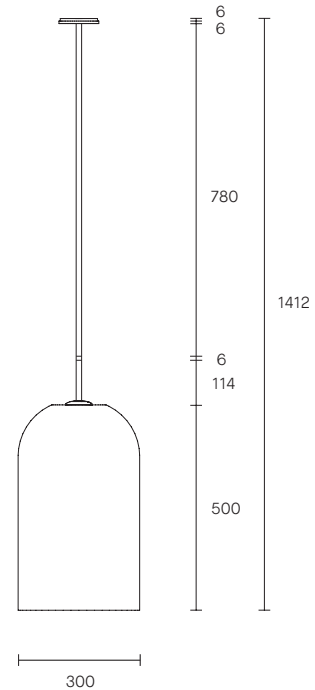
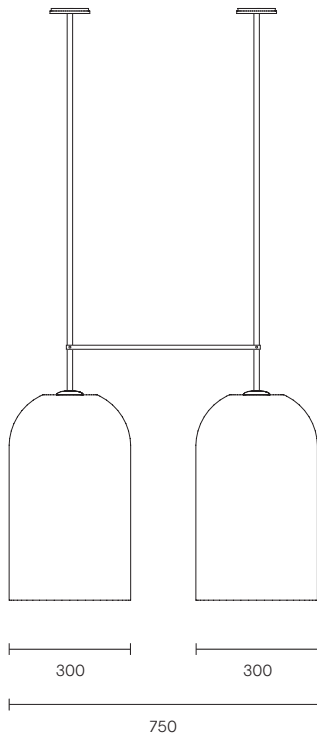
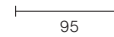
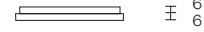
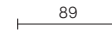
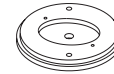
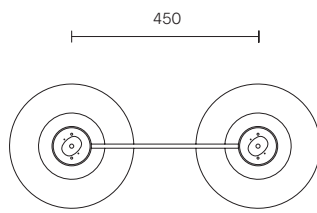


ARTICOLO

MONI COLLECTION

EXTRA LARGE DOUBLE PENDANT

SPECIFICATION SHEET
AUSTRALIA / INTERNATIONAL



MO_XLDP_S_AU_20V1

ABOUT MONI

Moni is an innovative yet astute collection, its monochromatic palette softened by a gentle, fluid form that is perfectly complemented in proportion and balance.

The black and white dipped coloured shades add further dynamic, pairing the weightlessness of artisanal mouthblown glass with an opaque quality.

The Moni shade is removable for easy cleaning.

Moni is available in table lamp, floor lamp, wall sconce and pendant.

LEAD TIME

6 - 8 weeks

LIGHT SOURCE

2 x 240V E27 95mm 8W LED

Convertible
2700K warm white
1400 total lumen output
Dimmable
Globes included

CUSTOMISATION

Variations to rod length and spacing bar can be specified at time of order placement

WEIGHT

18kg

FITTING FINISHES

Brass (shown)

Mid Bronze
Articolo Black
Matte White
Electroplate Black
Satin Nickel

SHADE COLOURS

Clear and White (shown)

CERTIFICATION

CE/AU

WARRANTY

3 years