

MONI COLLECTION  
EXTRA LARGE TRIPLE PENDANT

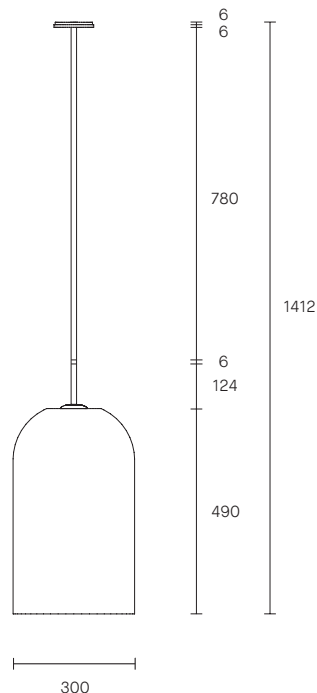
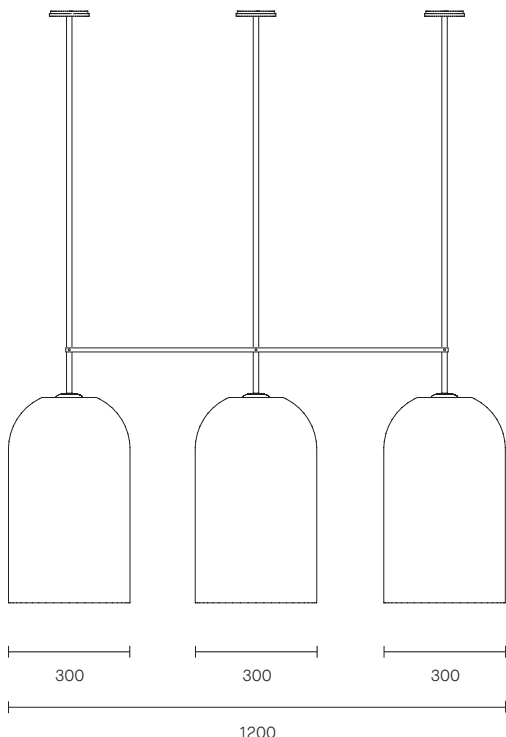
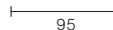
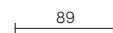
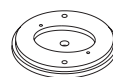
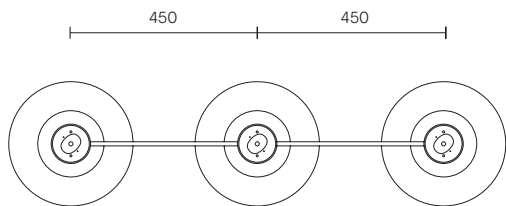
SPECIFICATION SHEET  
AUSTRALIA / INTERNATIONAL



# MONI COLLECTION

## EXTRA LARGE TRIPLE PENDANT

SPECIFICATION SHEET  
AUSTRALIA / INTERNATIONAL



MO\_XLTP\_S\_AU\_20V2

### ABOUT MONI

Moni is an innovative yet astute collection, its monochromatic palette softened by a gentle, fluid form that is perfectly complemented in proportion and balance. The white dipped coloured shades add further dynamic, pairing the weightlessness of artisanal mouthblown glass with an opaque quality.

The Moni shade is removable for easy cleaning.

Moni is available in table lamp, floor lamp, wall sconce and pendant.

### LEAD TIME

6 - 8 weeks

### LIGHT SOURCE

3 x 240V E27 95mm 8W LED  
2700K warm white  
2100 total lumen output  
Dimmable  
Globes included

### CUSTOMISATION

Variations to rod length and spacing bar can be specified at time of order placement.

Standard drop length up to 1200mm. Additional charge will apply for longer drop lengths, price upon request.

### WEIGHT

26kg

### FITTING FINISHES

Brass (shown)  
Mid Bronze  
Articolo Black  
Matte White  
Electroplate Black  
Satin Nickel

### SHADE COLOURS

Clear and White (shown)

### CERTIFICATION

CE/AU

### WARRANTY

3 years