

MONI COLLECTION
EXTRA LARGE DOUBLE PENDANT

UL SPECIFICATION SHEET
NORTH AMERICA

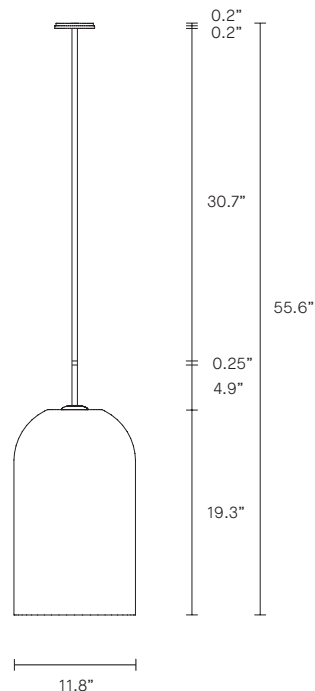
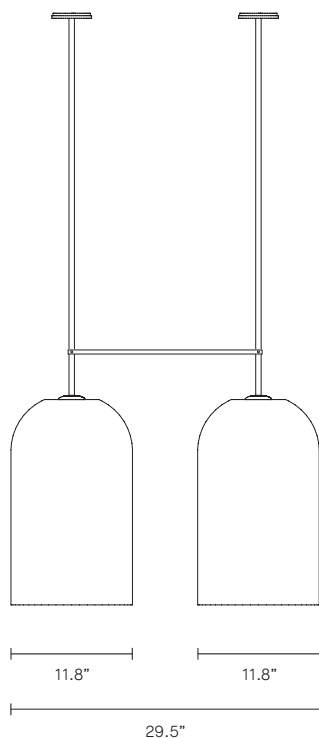
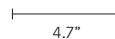
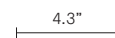
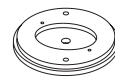
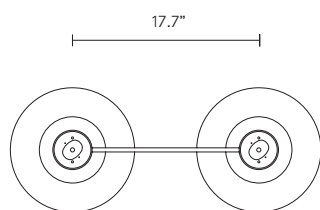


ARTICOLO

MONI COLLECTION

EXTRA LARGE DOUBLE PENDANT

UL SPECIFICATION SHEET
NORTH AMERICA



MO_XLDP_UL_20V3

ABOUT MONI

Moni is an innovative yet astute collection, its monochromatic palette softened by a gentle, fluid form that is perfectly complemented in proportion and balance. The white dipped coloured shades add further dynamic, pairing the weightlessness of artisanal mouthblown glass with an opaque quality.

The Moni shade is removable for easy cleaning.

Moni is available in table lamp, floor lamp, wall sconce and pendant.

LEAD TIME

8 - 10 weeks

LIGHT SOURCE

2 x 120V E26 9W LED
2700K warm white
1600 total lumen output
Dimmable
Globe included

WEIGHT

38 lb

INSTALLATION

Supplied with mounting plate to fit 4.0/3.5 Jbox

CERTIFICATION

US/ETL/CA

WARRANTY

3 years

FITTING FINISHES

Brass (shown)
Articolo Black
Matte White

SHADE COLOURS

Clear and White (shown)

CUSTOMISATION

Variations to rod length can be specified at time of order placement.

Standard drop length up to 47". Additional charge will apply for longer drop lengths, price upon request.