

MONI COLLECTION  
EXTRA LARGE TRIPLE PENDANT

UL SPECIFICATION SHEET  
NORTH AMERICA



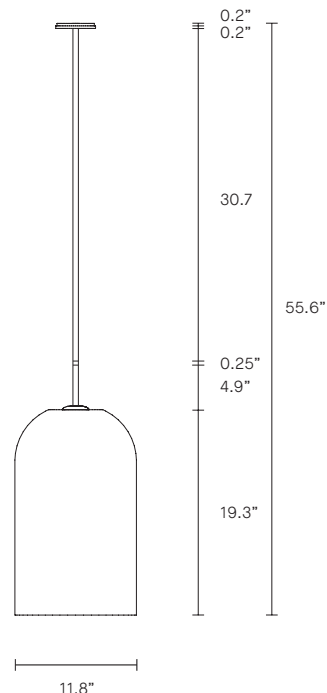
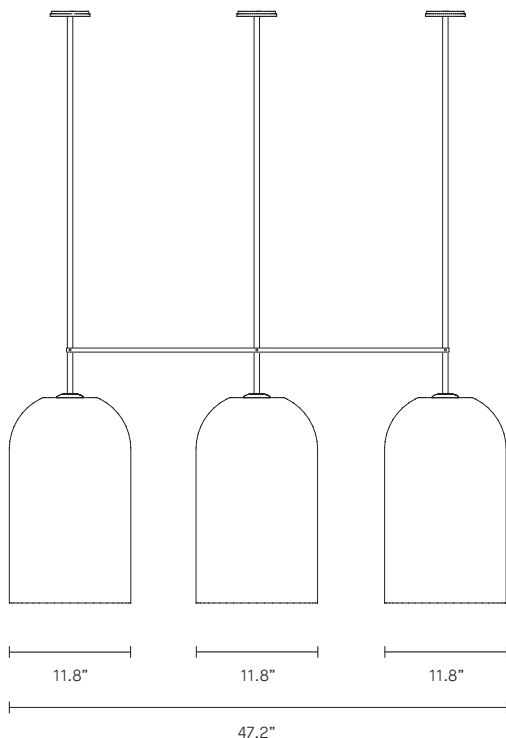
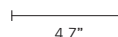
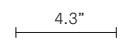
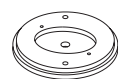
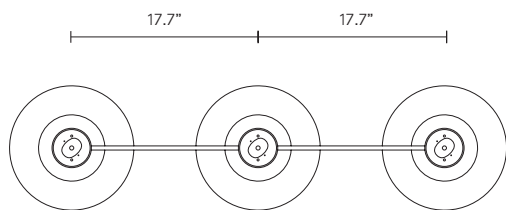
ARTICOLO

# MONI COLLECTION

## EXTRA LARGE TRIPLE PENDANT

# UL SPECIFICATION SHEET

## NORTH AMERICA



MO\_XLTP\_S\_UL\_20V2

### ABOUT MONI

Moni is an innovative yet astute collection, its monochromatic palette softened by a gentle, fluid form that is perfectly complemented in proportion and balance. The white dipped coloured shades add further dynamic, pairing the weightlessness of artisanal mouthblown glass with an opaque quality.

The Moni shade is removable for easy cleaning.

Moni is available in table lamp, floor lamp, wall sconce and pendant.

### LEAD TIME

8 - 10 weeks

### LIGHT SOURCE

3 X 110V E26 6W LED  
2700K warm white  
1860 total lumen output  
Dimmable  
Globe included

### WEIGHT

56 lb

### INSTALLATION

Supplied with mounting plate to fit 4.0/3.5 Jbox

### CERTIFICATION

US/ETL/CA

### WARRANTY

3 years

### FITTING FINISHES

Brass (shown)  
Articolo Black  
Matte White

### SHADE COLOURS

Clear and White (shown)

### CUSTOMISATION

Variations to rod length can be specified at time of order placement.

Standard drop length up to 47". Additional charge will apply for longer drop lengths, price upon request.