

MONI COLLECTION
EXTRA LARGE DOUBLE PENDANT

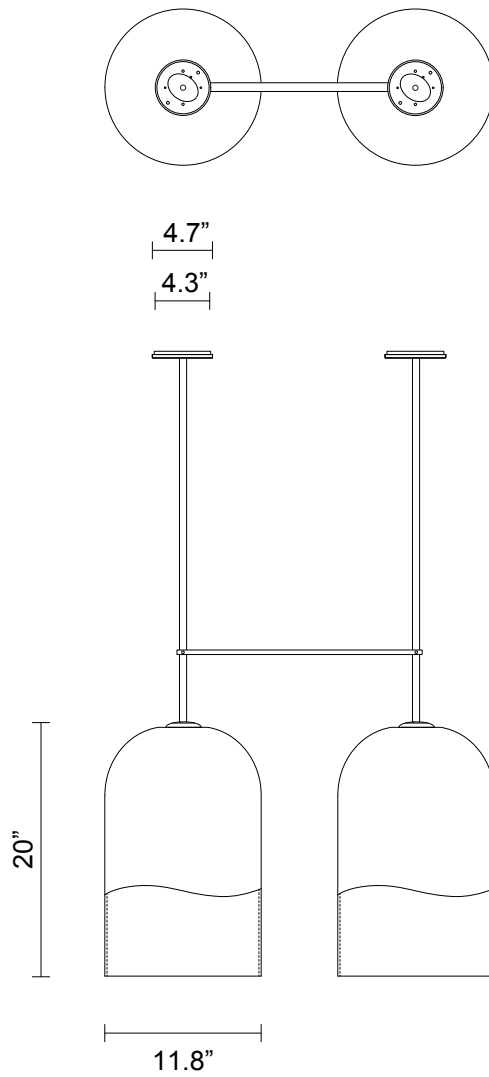
SPECIFICATION SHEET
NORTH AMERICA



ARTICOLO

MONI COLLECTION
EXTRA LARGE DOUBLE PENDANT

SPECIFICATION SHEET
NORTH AMERICA



MO_XLDP_UL_21V1

ABOUT MONI

Moni is an innovative and dynamic collection, its monochromatic palette softened by a gentle, fluid form that is perfectly complemented in proportion and balance. The white glass dipped detail providing artisanal brilliance.

LEAD TIME

8 - 10 weeks

LIGHT SOURCE

2 x 120V E26 9W LED
2700K warm white
1600 total lumen output
Dimmable
Lamps included

INSTALLATION

Supplied with mounting plate to fit 4.0/3.5 Jbox

CUSTOMISATION

Standard drop length up to 47".
Additional charge will apply for longer drop lengths, price upon request.

WEIGHT

38 lb

FITTING FINISHES

Brass
Mid Bronze
Satin Nickel
Black Electroplate
White Powder Coat
Graphite Powder Coat

SHADE COLOURS

Clear and White

CERTIFICATION

US/ETL/CA

WARRANTY

3 years