

FLOAT COLLECTION  
PENDANT

UL SPECIFICATION SHEET  
NORTH AMERICA



ARTICOLO

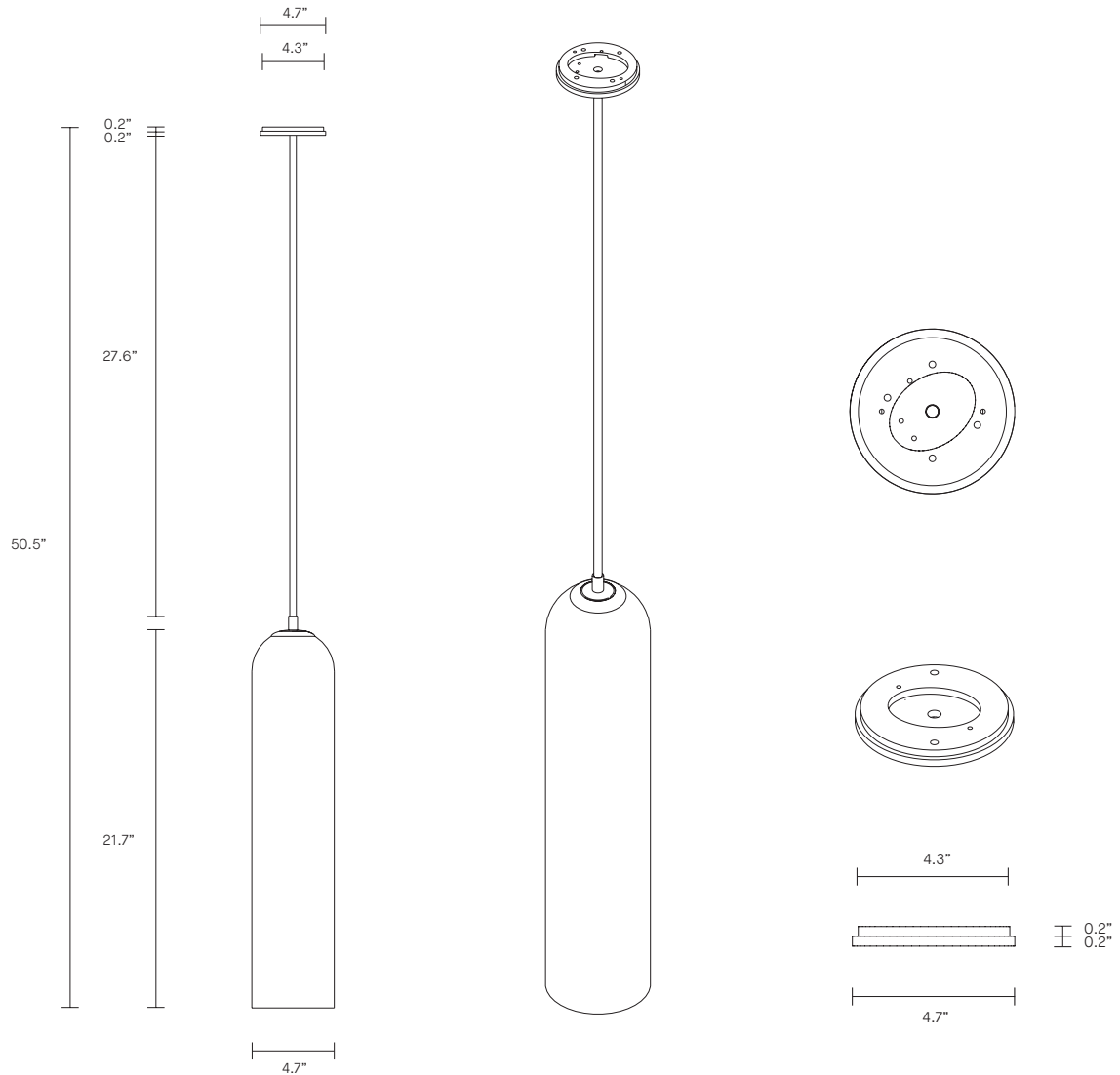
# FLOAT COLLECTION

PENDANT

UL SPECIFICATION SHEET

NORTH AMERICA

FL\_P\_UL\_20V2



## ABOUT FLOAT

Float is a collection of refined lighting informed by glamorous design cues of a bygone era and defined by its soaring cylindrical form.

The collection continues Articolo's exploration of the richly storied nature of artisanship. Each mouth-blown piece is tirelessly perfected and uniquely individual. Born as an acclaimed Wall Sconce, today Float is also available as a Pendant and Table Lamp in multiple iterations.

## LEAD TIME

8 - 10 weeks

## LIGHT SOURCE

120V GU10 7W LED  
2700K warm white  
500 lumens  
Dimmable  
Globe included

## WEIGHT

9.5 lb

## INSTALLATION

Supplied with mounting plate to fit 4.0/3.5 Jbox

## CUSTOMISATION

Variations to rod length can be specified at time of order placement

## FITTING FINISHES

Brass (shown)  
Mid Bronze  
Articolo Black  
Matte White  
Electroplate Black  
Satin Nickel

## SHADE COLOURS

Snow  
Drunken Emerald  
Smoke  
Grey  
Clear (shown)

## CERTIFICATION

US/ETL/CA

## WARRANTY

3 years