

FLOAT COLLECTION
PENDANT

UL SPECIFICATION SHEET
NORTH AMERICA



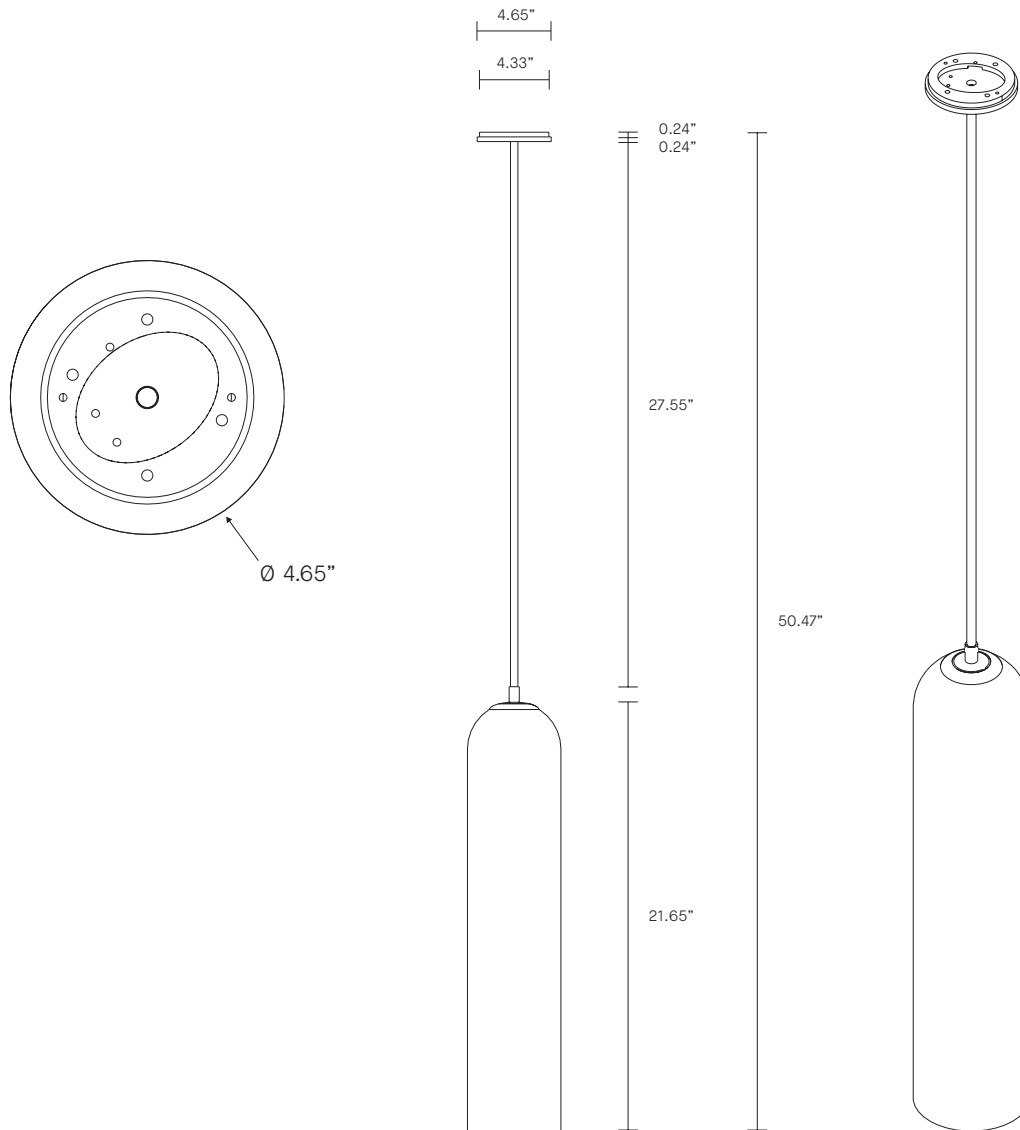
ARTICOLO

FLOAT COLLECTION

PENDANT

UL SPECIFICATION SHEET

NORTH AMERICA



FL_P_S_L_18V2

ABOUT FLOAT

Float is a collection of refined lighting informed by glamorous design cues of a bygone era and defined by its soaring cylindrical form.

The collection continues Articolo's exploration of the richly storied nature of artisanship. Each mouth-blown piece is tirelessly perfected and uniquely individual. Born as an acclaimed Wall Sconce, today Float is also available as a Pendant and Table Lamp in multiple iterations.

LEAD TIME

8 - 10 weeks

LIGHT SOURCE

110V 5W GU10 LED
3000K warm white
410 lumens
Dimmable
Globe included

INSTALLATION

Supplied with mounting plate to fit 4.0 ceiling box

CUSTOMISATION

Variations to rod length can be specified at time of order placement

WEIGHT

9.5lb

FITTING FINISHES

Brass
Mid Bronze (shown)
Articolo Black
Matte White
Electroplate Black
Satin Nickel

SHADE COLOURS

Snow
Drunken Emerald
Smoke
Grey (shown)
Clear

CERTIFICATION

US/ETL/CA

WARRANTY

3 years