

FLOAT COLLECTION
PENDANT

UL SPECIFICATION SHEET
NORTH AMERICA



ARTICOLO

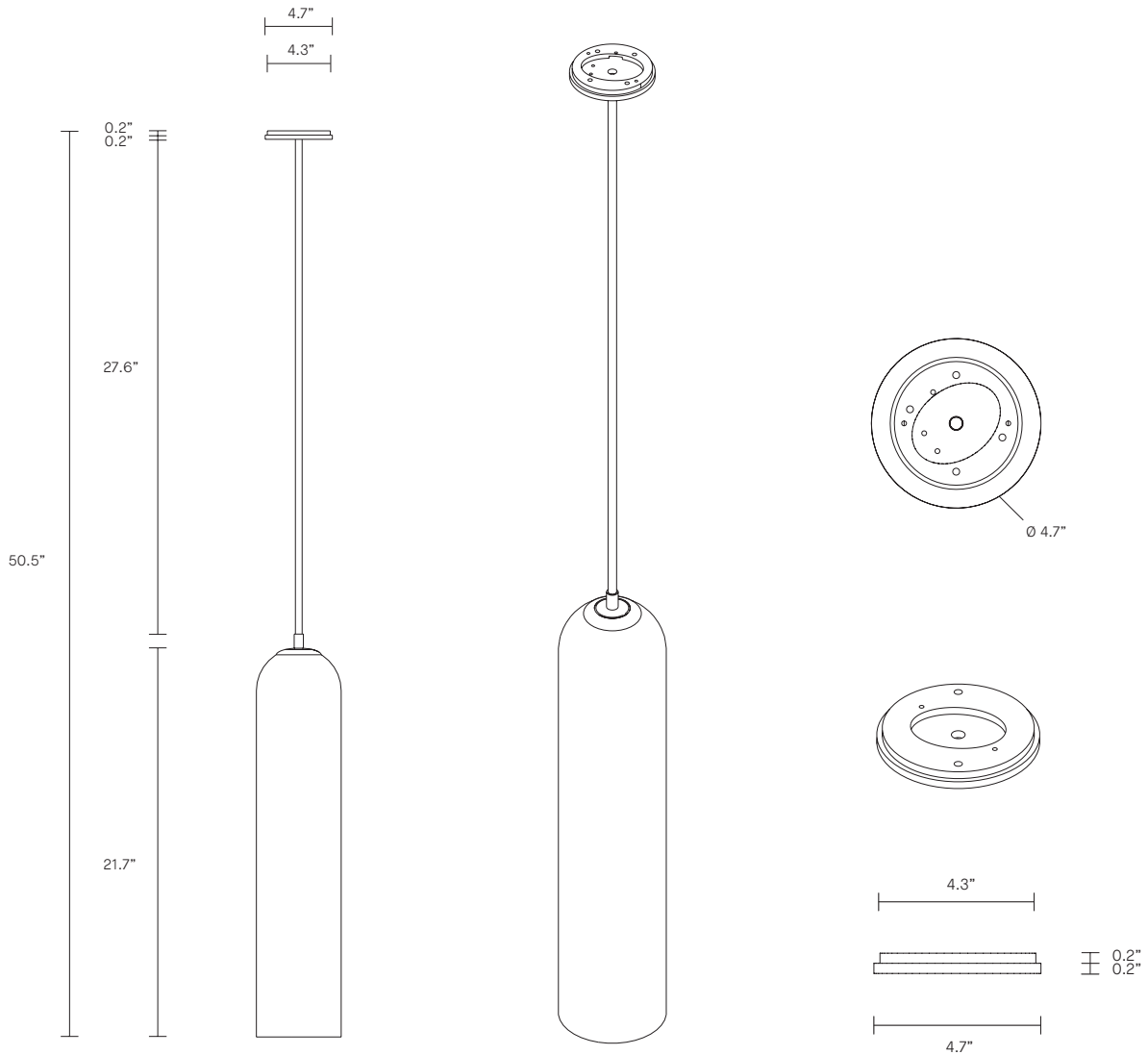
FLOAT COLLECTION

PENDANT

UL SPECIFICATION SHEET

NORTH AMERICA

FL_P_S_UL_20V1



ABOUT FLOAT

Float is a collection of refined lighting informed by glamorous design cues of a bygone era and defined by its soaring cylindrical form.

The collection continues Articolò's exploration of the richly storied nature of artisanship. Each mouth-blown piece is tirelessly perfected and uniquely individual. Born as an acclaimed Wall Sconce, today Float is also available as a Pendant and Table Lamp in multiple iterations.

LEAD TIME

8 - 10 weeks

LIGHT SOURCE

110V 6W LED GU10
3000K warm white
500 lumens
Dimmable
Globe included

WEIGHT

9.5 lb

INSTALLATION

Supplied with mounting plate to fit 4.0/3.5 Jbox

CUSTOMISATION

Variations to rod length can be specified at time of order placement

FITTING FINISHES

Brass
Mid Bronze (shown)
Articolo Black
Matte White
Electroplate Black
Satin Nickel

SHADE COLOURS

Snow
Drunken Emerald (shown)
Smoke
Grey
Clear

CERTIFICATION

US/ETL/CA

WARRANTY

3 years