

FLOAT COLLECTION  
PENDANT

UL SPECIFICATION SHEET  
NORTH AMERICA



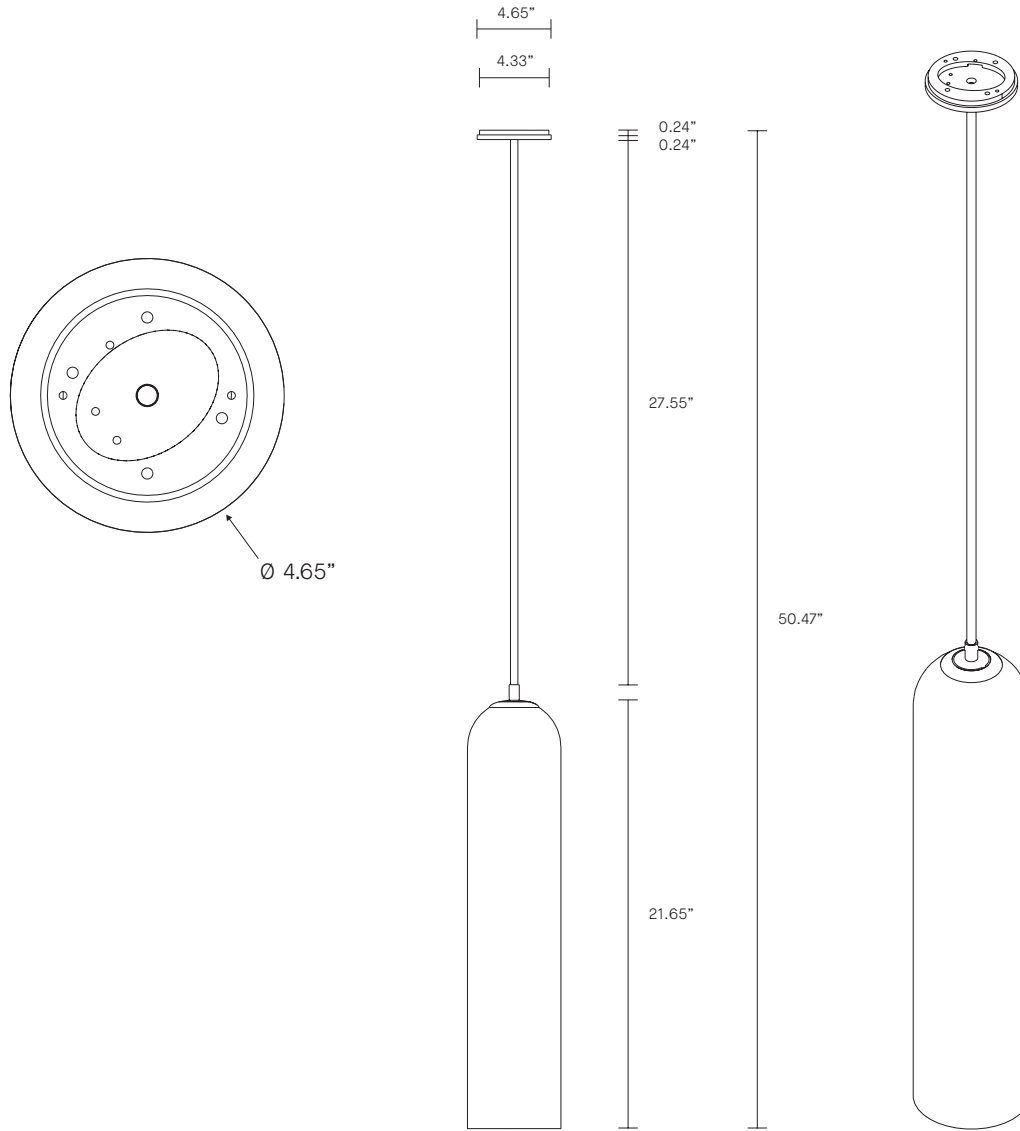
ARTICOLO

# FLOAT COLLECTION

## PENDANT

# UL SPECIFICATION SHEET

NORTH AMERICA



FL\_P\_S\_L\_18V3

### ABOUT FLOAT

Float is a collection of refined lighting informed by glamorous design cues of a bygone era and defined by its soaring cylindrical form.

The collection continues Articolo's exploration of the richly storied nature of artisanship. Each mouth-blown piece is tirelessly perfected and uniquely individual. Born as an acclaimed Wall Sconce, today Float is also available as a Pendant and Table Lamp in multiple iterations.

### LEAD TIME

8 - 10 weeks

### LIGHT SOURCE

110V 5W GU10 LED  
3000K warm white  
410 lumens  
Dimmable  
Globe included

### INSTALLATION

Supplied with mounting plate to fit 4.0 ceiling box

### CUSTOMISATION

Variations to rod length can be specified at time of order placement

### WEIGHT

9.5lb

### FITTING FINISHES

Brass  
Mid Bronze (shown)  
Articolo Black  
Matte White  
Electroplate Black  
Satin Nickel

### SHADE COLOURS

Snow  
Drunken Emerald  
Smoke (shown)  
Grey  
Clear

### CERTIFICATION

US/ETL/CA

### WARRANTY

3 years