

SCANDAL COLLECTION
PENDANT SHORT

UL SPECIFICATION SHEET
NORTH AMERICA



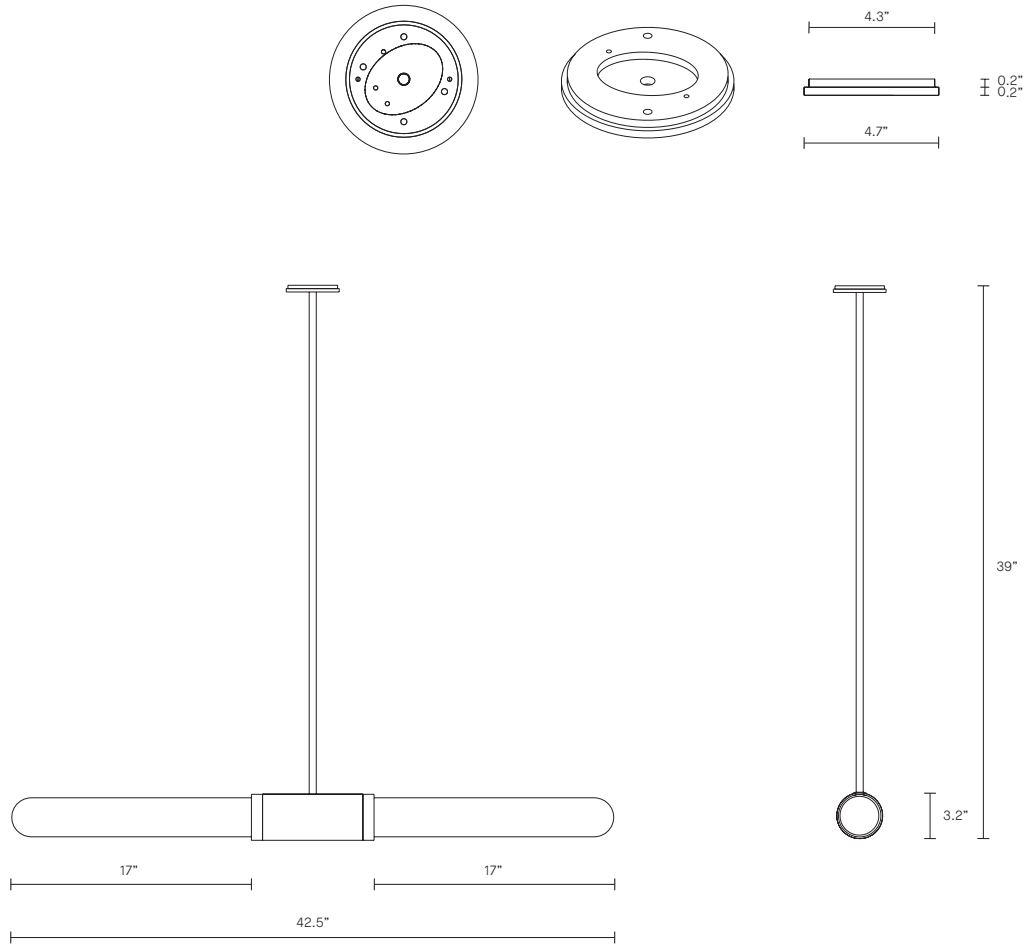
ARTICOLO

SCANDAL COLLECTION

PENDANT SHORT

UL SPECIFICATION SHEET

NORTH AMERICA



SA_PS_S_AU_19V2

ABOUT SCANDAL

Scandal is a collection of Pendants and Wall Sconces that casts a slim and finely considered silhouette.

Notable for its barrel-like cuff and inlaid with exquisite Brass, Silver, Rose Gold Mesh or Latte or Navy Leather, Scandal's elongated proportions are capped end-to-end by rounded glass that conceals the light source, exemplifying the quiet brilliance of artisanal glass and metalwork.

LEAD TIME

8 - 10 weeks

LIGHT SOURCE

2 x 12V 7W LED MR16 GU5.3
2700K warm white
1000 total lumen output
Dimmable (Luxtron/Diva/CL)
Globes included

CUSTOMISATION

Variations to rod length can be specified at time of order placement

INSTALLATION

Supplied with external driver (Hatch RS12-15M-LED 2.25x1.25x0.75)
Supplied with mounting plate to fit 4.0/3.5 Jbox

WEIGHT

13.3lb

FITTING FINISHES

Brass (shown)
Mid Bronze
Satin Nickel

INLAY

Brass Mesh (shown)
Silver Mesh
Rose Gold Mesh
Latte Leather
Navy Leather

SHADE COLOURS

White Frost (shown)