

SCANDAL COLLECTION
STAGGERED PENDANT

UL SPECIFICATION SHEET
NORTH AMERICA



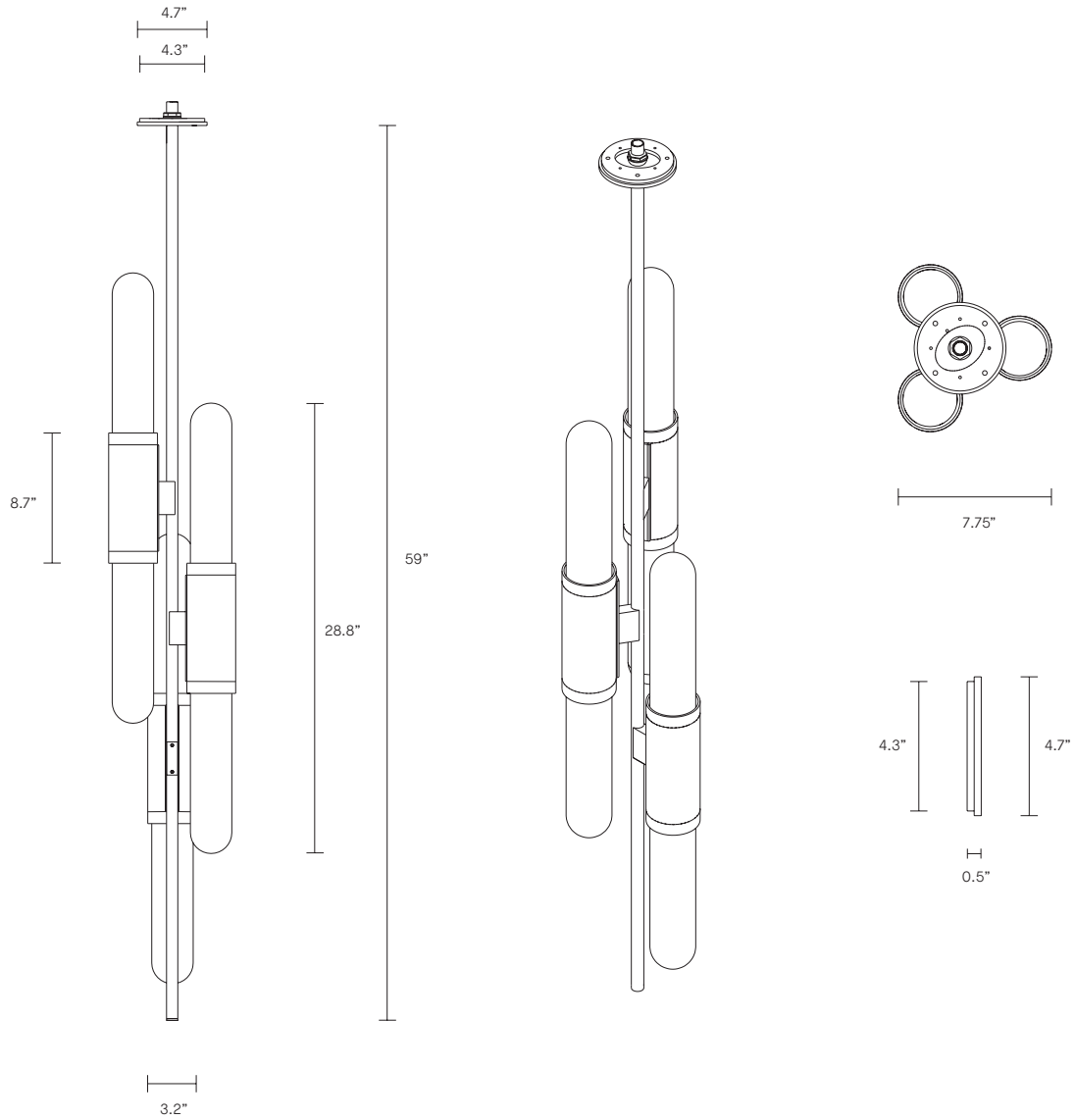
ARTICOLO

SCANDAL COLLECTION

STAGGERED PENDANT

UL SPECIFICATION SHEET

NORTH AMERICA



SA_SP_UL_20V2

ABOUT SCANDAL

Scandal is a collection of Pendants and Wall Sconces that casts a slim and finely considered silhouette.

Notable for its barrel-like cuff and inlaid with exquisite Brass, Silver, Rose Gold Mesh or Latte or Navy Leather, Scandal's elongated proportions are capped end-to-end by rounded glass that conceals the light source, exemplifying the quiet brilliance of artisanal glass and metalwork.

LEAD TIME

8 - 10 weeks

LIGHT SOURCE

6 x GU5.3 MR16 7W LED
2700K warm white
3000 total lumen output
Dimmable (Luxtron/Diva/CL)
Globes included

INSTALLATION

Supplied with external drivers (Hatch RL12-15m-LED transformer)
Supplied with mounting plate to fit 4.0/3.5 Jbox

WEIGHT

31 lb

FITTING FINISHES

Brass (shown)
Mid Bronze
Satin Nickel

INLAY

Brass Mesh (shown)
Silver Mesh
Rose Gold Mesh
Latte Leather
Navy Leather

SHADE COLOURS

Snow (shown)
Clear Fluted

CERTIFICATION

US/ETL/CA

WARRANTY

3 years