

SCANDAL COLLECTION
STAGGERED PENDANT

SPECIFICATION SHEET
AUSTRALIA / INTERNATIONAL

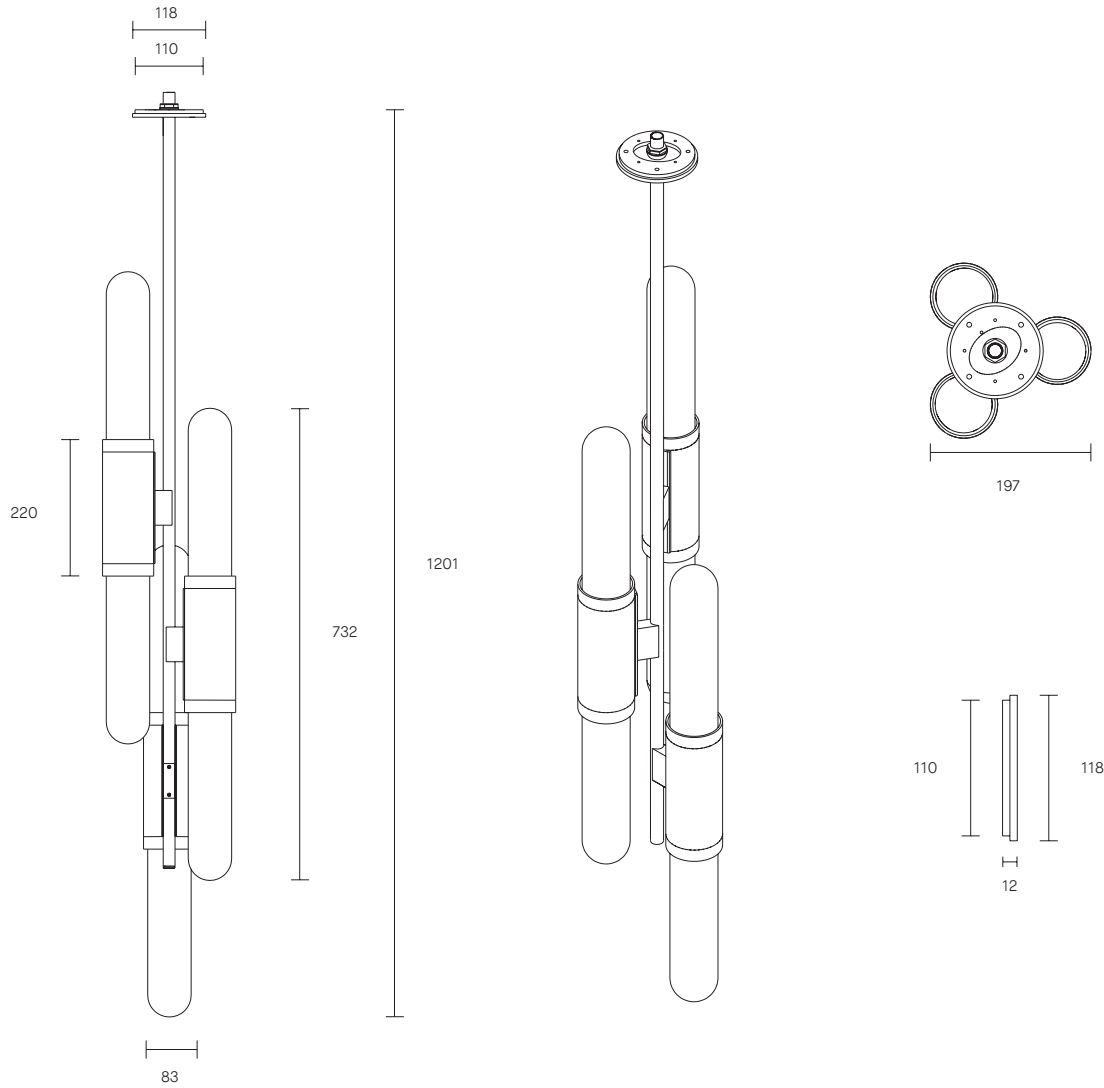


SCANDAL COLLECTION

STAGGERED PENDANT

SPECIFICATION SHEET

AUSTRALIA / INTERNATIONAL



SA_PL_S_AU_19V1

ABOUT SCANDAL

Scandal is a collection of Pendants and Wall Sconces that casts a slim and finely considered silhouette.

Notable for its barrel-like cuff and inlaid with exquisite Brass, Silver, Rose Gold Mesh or Latte or Navy Leather, Scandal's elongated proportions are capped end-to-end by rounded glass that conceals the light source, exemplifying the quiet brilliance of artisanal glass and metalwork.

LEAD TIME

6 - 8 weeks

LIGHT SOURCE

6 x 12V 7W LED MR16 GU5.3

2700K warm white

3000 total lumen output

Dimmable

Globes included

INSTALLATION

Supplied with external driver

WEIGHT

14kg

CERTIFICATION

CE/AU

WARRANTY

3 years

FITTING FINISHES

Brass (shown)

Mid Bronze

Satin Nickel

INLAY

Brass Mesh (shown)

Silver Mesh

Rose Gold Mesh

Latte Leather

Navy Leather

SHADE COLOURS

White Frost (shown)

Clear Fluted