

SCANDAL COLLECTION
STAGGERED WALL SCONCE

UL SPECIFICATION SHEET
NORTH AMERICA



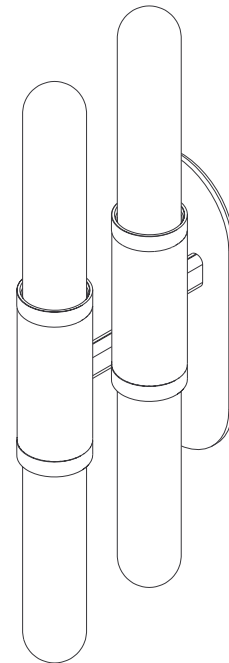
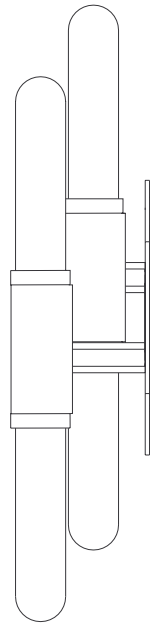
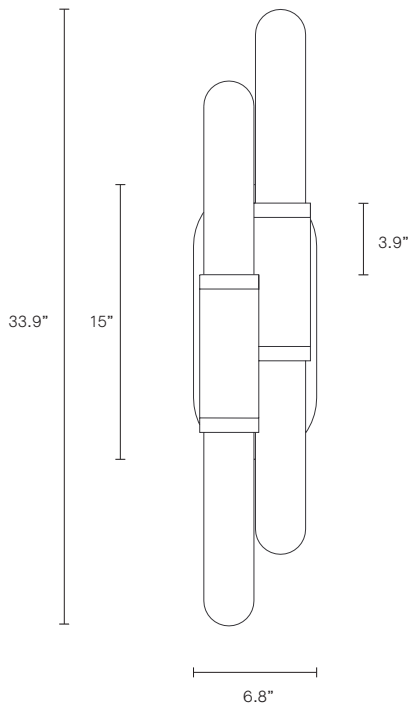
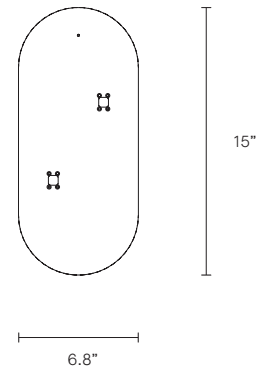
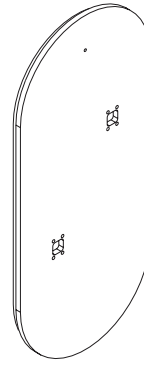
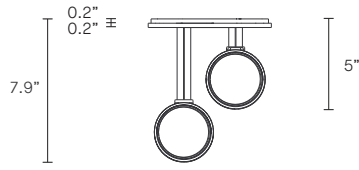
ARTICOLO

SCANDAL COLLECTION

STAGGERED WALL SCONCE

UL SPECIFICATION SHEET

NORTH AMERICA



SA_SWS_S_UL_20V1

ABOUT SCANDAL

Scandal is a collection of Pendants and Wall Sconces that casts a slim and finely considered silhouette.

Notable for its barrel-like cuff and inlaid with exquisite Brass, Silver, Rose Gold Mesh or Latte or Navy Leather, Scandal's elongated proportions are capped end-to-end by rounded glass that conceals the light source, exemplifying the quiet brilliance of artisanal glass and metalwork.

LEAD TIME

8 - 10 weeks

LIGHT SOURCE

4 x 12V 7W LED MR16 GU5.3

2700K warm white

1720 total lumen output

Dimmable (Luxtron/Diva/CL)

Globes included

INSTALLATION

Supplied with external drivers (Hatch RL12-15m-LED transformer)

Supplied with mounting plate to fit 4.0/3.5 Jbox

WEIGHT

24 lb

FITTING FINISHES

Brass (shown)

Mid Bronze

Satin Nickel

INLAY

Brass Mesh

Silver Mesh

Rose Gold Mesh

Latte Leather (shown)

Navy Leather

SHADE COLOURS

Snow (shown)

Clear Fluted

CERTIFICATION

US/ETL/CA

WARRANTY

3 years