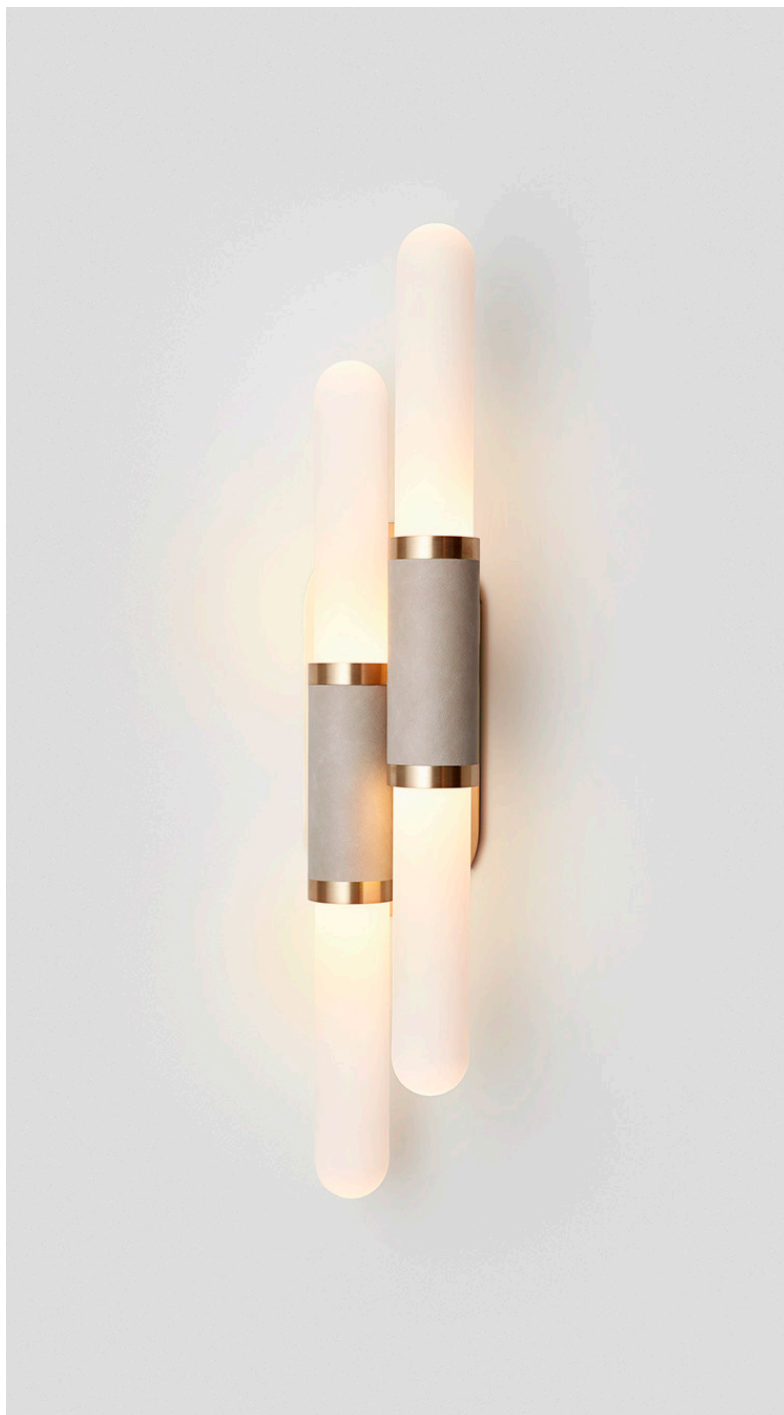


SCANDAL COLLECTION
STAGGERED WALL SCONCE

UL SPECIFICATION SHEET
NORTH AMERICA



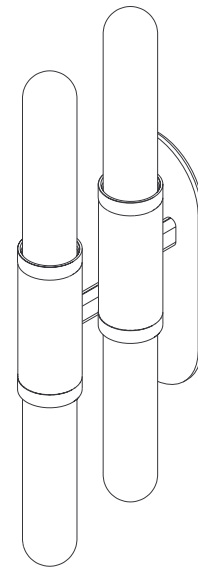
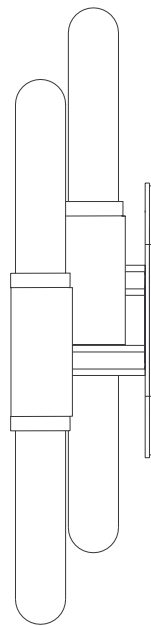
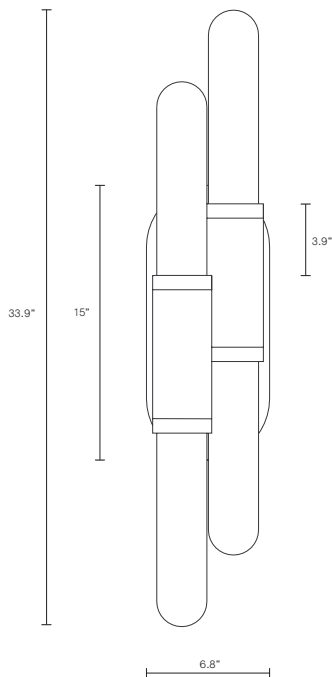
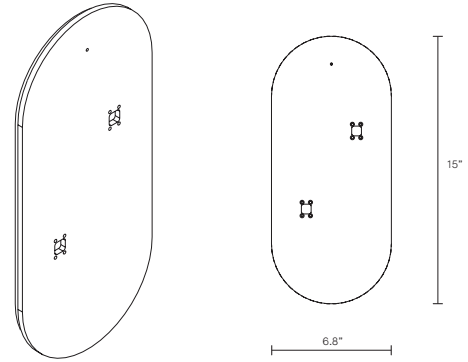
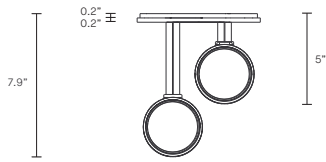
ARTICOLO

SCANDAL COLLECTION

STAGGERED WALL SCONCE

UL SPECIFICATION SHEET

NORTH AMERICA



SA_WSS_S_AU_19V3

ABOUT SCANDAL

Scandal is a collection of Pendants and Wall Sconces that casts a slim and finely considered silhouette.

Notable for its barrel-like cuff and inlaid with exquisite Brass, Silver, Rose Gold Mesh or Latte or Navy Leather, Scandal's elongated proportions are capped end-to-end by rounded glass that conceals the light source, exemplifying the quiet brilliance of artisanal glass and metalwork.

LEAD TIME

8 - 10 weeks

LIGHT SOURCE

4 x 12V 7W LED MR16 GU5.3
2700K warm white
2000 total lumen output
Dimmable (Luxtron/Diva/CL)
Globes included

INSTALLATION

Supplied with external driver
(Hatch RS12-15M-LED
2.25x1.25x0.75)
Supplied with mounting plate
to fit 4.0/3.5 Jbox

WEIGHT

24lb

FITTING FINISHES

Brass (shown)
Mid Bronze
Satin Nickel

INLAY

Brass Mesh
Silver Mesh
Rose Gold Mesh
Latte Leather (shown)
Navy Leather

SHADE COLOURS

White Frost (shown)
Clear Fluted

CERTIFICATION

US/ETL/CA

WARRANTY

3 years