

SCANDAL COLLECTION
STAGGERED PENDANT

SPECIFICATION SHEET
AUSTRALIA / INTERNATIONAL

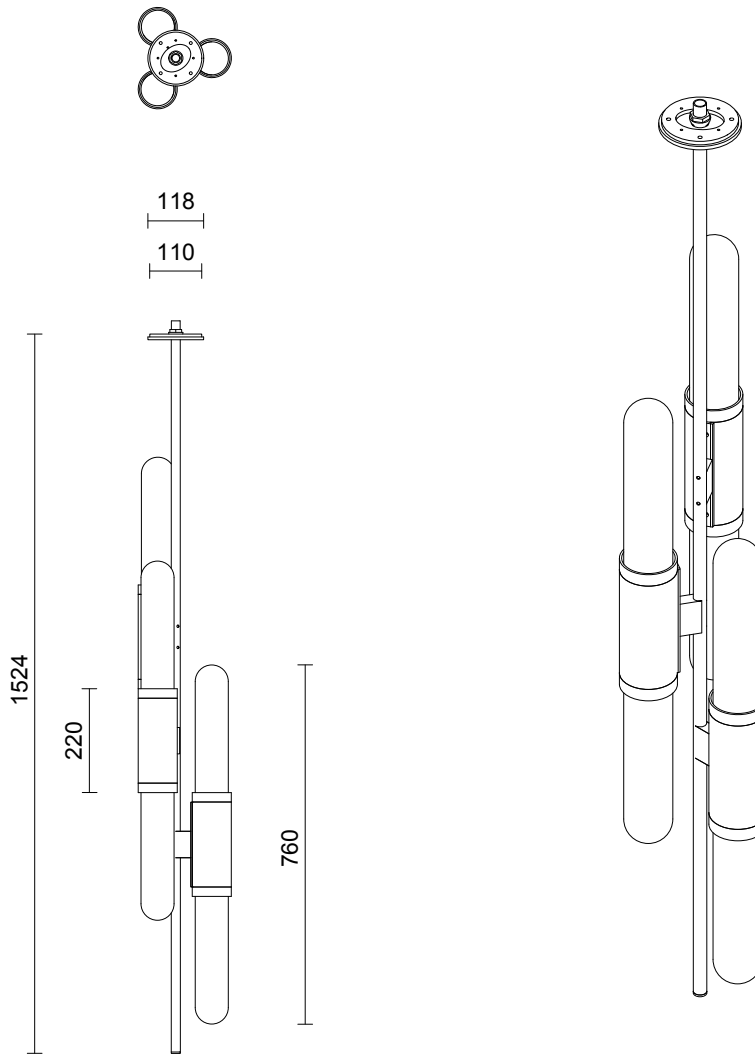


SCANDAL COLLECTION

STAGGERED PENDANT

SPECIFICATION SHEET

AUSTRALIA / INTERNATIONAL



SA_SP_AU_21V1

ABOUT SCANDAL

The unification of luxurious crafts exists through the Scandal Collection. Scandal casts a slim and finely considered silhouette. Notable for its barrel-like cuff and inlay Scandal's elongated proportions are capped end-to-end by rounded mouthblown glass that conceals the light source, exemplifying the quiet brilliance of artisanal glass and metalwork.

LEAD TIME

6 - 8 weeks

LIGHT SOURCE

6 x 12V 7W LED MR16 GU5.3

2700K warm white

3000 total lumen output

Dimmable

Lamps included

INSTALLATION

Supplied with external driver

CUSTOMISATION

Standard drop length up to 1200mm. Additional charge will apply for longer drop lengths, price upon request. Variations to rod length can be specified at time of order placement

WEIGHT

14kg

FITTING FINISHES

Brass

Mid Bronze

Satin Nickel

Black Electroplate

INLAY

Brass Mesh

Silver Mesh

Rose Gold Mesh

Latte Leather

Navy Leather

SHADE COLOURS

Snow

Clear Fluted

CERTIFICATION

CE/AU

WARRANTY

3 years