

SCANDAL COLLECTION
STAGGERED PENDANT

SPECIFICATION SHEET
NORTH AMERICA



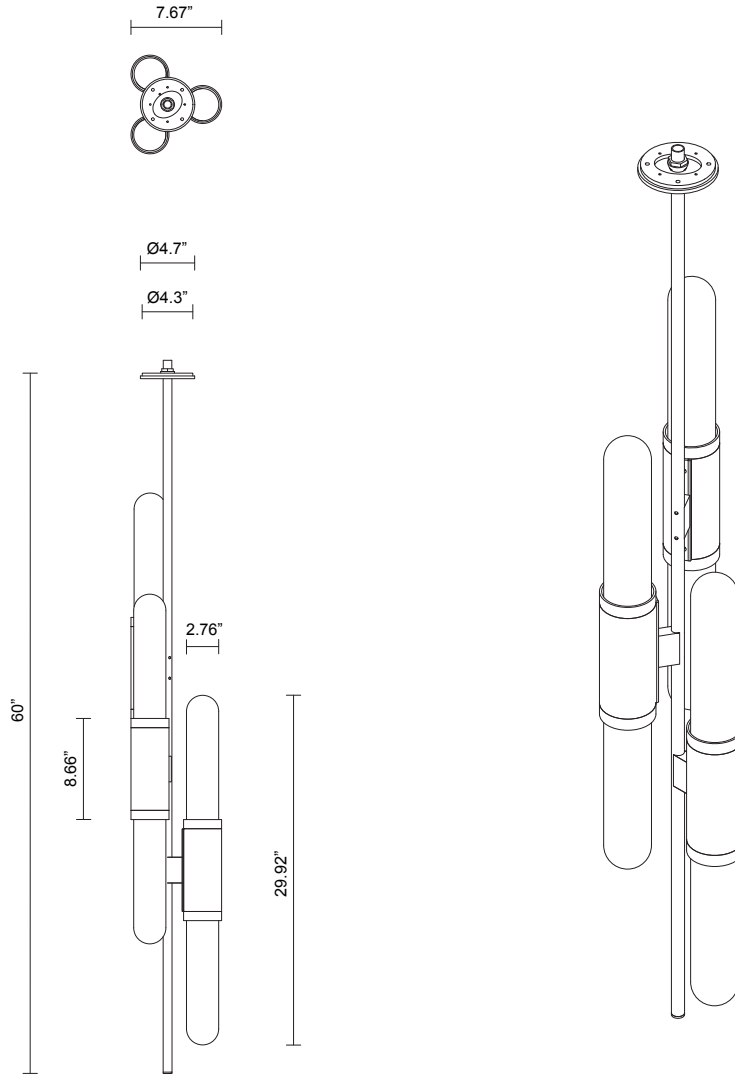
ARTICOLO

SCANDAL COLLECTION

STAGGERED PENDANT

SPECIFICATION SHEET

NORTH AMERICA



SA_SP_UL_21V7

ABOUT SCANDAL

The unification of luxurious crafts exists through the Scandal Collection. Scandal casts a slim and finely considered silhouette. Notable for its barrel-like cuff and inlay Scandal's elongated proportions are capped end-to-end by rounded mouthblown glass that conceals the light source, exemplifying the quiet brilliance of artisanal glass and metalwork.

LEAD TIME

8 - 10 weeks

LIGHT SOURCE

6 x 12V 7W LED MR16 GU5.3
2700K warm white
3000 total lumen output
Dimmable
Lamps included

INSTALLATION

Supplied with external driver and mounting plate to fit 4.0/3.5 Jbox

ROD LENGTH

Minimum overall drop length of 55"

WEIGHT

31 lb

FITTING FINISHES

Brass
Mid Bronze
Satin Nickel
Black Electroplate

INLAY

Brass Mesh
Silver Mesh
Rose Gold Mesh
Latte Leather
Navy Leather
Black Leather

SHADE COLOURS

Snow
Clear Fluted

CERTIFICATION

US/ETL/CA

WARRANTY

3 years