

SCANDAL COLLECTION
SHORT WALL SCONCE

UL SPECIFICATION SHEET
NORTH AMERICA



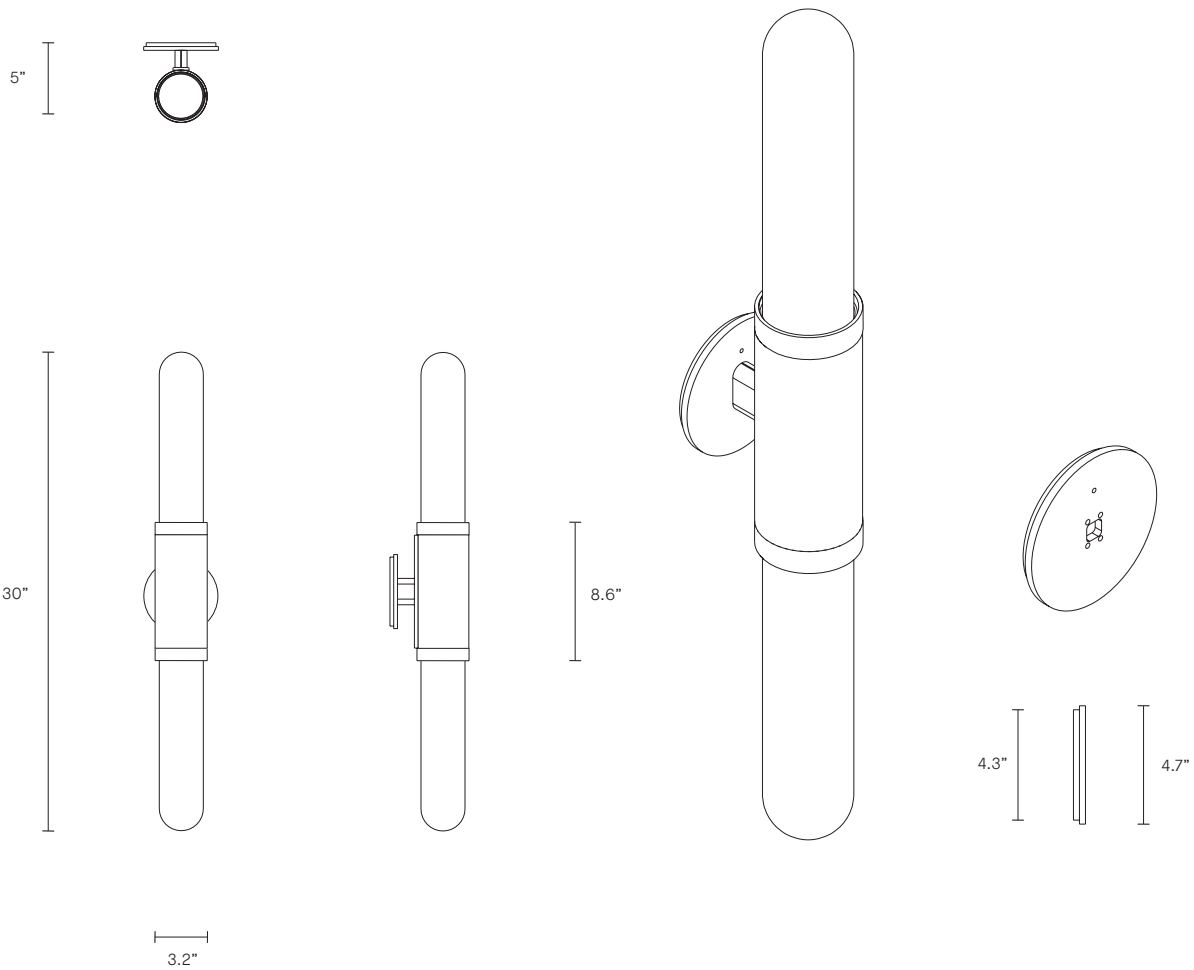
ARTICOLO

SCANDAL COLLECTION

SHORT WALL SCONCE

UL SPECIFICATION SHEET

NORTH AMERICA



SA_SWS_S_UL_20V1

ABOUT SCANDAL

Scandal is a collection of Pendants and Wall Sconces that casts a slim and finely considered silhouette.

Notable for its barrel-like cuff and inlaid with exquisite Brass, Silver, Rose Gold Mesh or Latte or Navy Leather, Scandal's elongated proportions are capped end-to-end by rounded glass that conceals the light source, exemplifying the quiet brilliance of artisanal glass and metalwork.

LEAD TIME

8 - 10 weeks

LIGHT SOURCE

2 x 12V 7W LED MR16 GU5.3

2700K warm white

860 total lumen output

Dimmable (Luxtron/Diva/CL)

Globes included

INSTALLATION

Supplied with external driver (Hatch RL12-15m-LED transformer)

Supplied with mounting plate to fit 4.0/3.5 Jbox

WEIGHT

10 lb

FITTING FINISHES

Brass

Mid Bronze

Satin Nickel (shown)

INLAY

Brass Mesh

Silver Mesh (shown)

Rose Gold Mesh

Latte Leather

Navy Leather

SHADE COLOURS

Snow (shown)

Clear Fluted

CERTIFICATION

US/ETL/CA

WARRANTY

3 years