

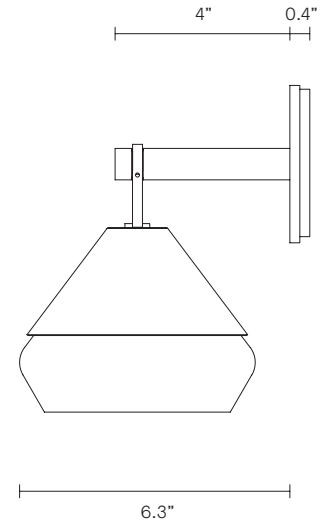
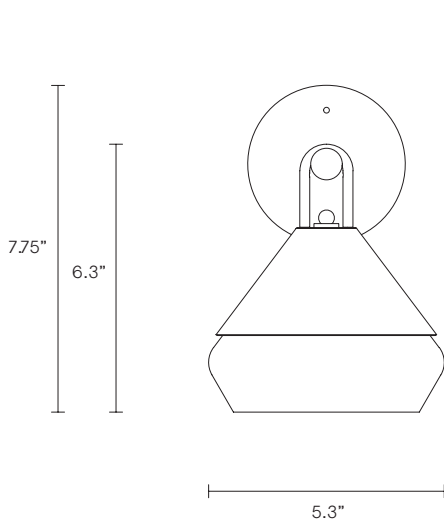
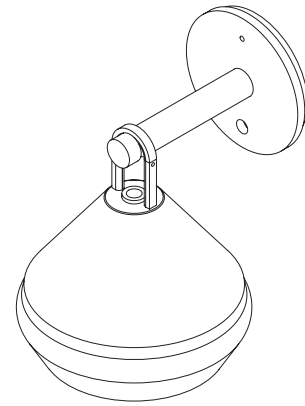
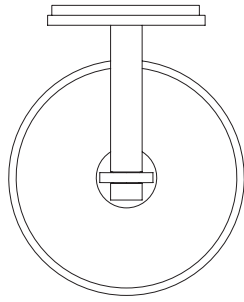


HATTI COLLECTION

WALL SCONCE

SPECIFICATION SHEET

NORTH AMERICA



HT_WS_UL_20V1

ABOUT HATTI

Uniting tradition from the east with contemporary design from the west. Hatti's metal fixture delicately crowns its glass and is available in a muted palette of romantic tones. Tapering smoothly from a flat base to a defined point, the familiar, primary shape casts a shadow of conical light, establishing a sense of subdued atmosphere for the most refined of interiors.

LEAD TIME

8 - 10 weeks

LIGHT SOURCE

9V 350mA dc LED board
2700k warm white
300 lumens
Dimmable
Globe included

INSTALLATION

Supplied with external driver

WEIGHT

4 lb

CERTIFICATION

US/ETL/CA

WARRANTY

3 years

FITTING FINISHES

Brass (shown)
Mid Bronze
Satin Nickel

SHADE COLOURS

Aubergine
Clear
Storm
Tea (shown)
White

FLEX CORD COLOURS

Black
White
Ivory (shown)