

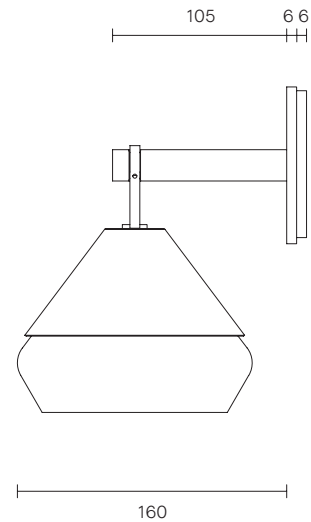
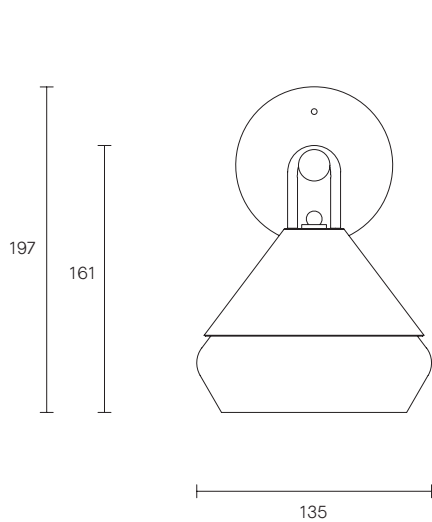
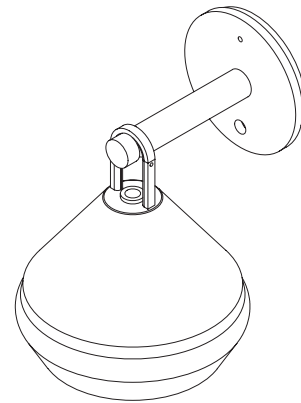
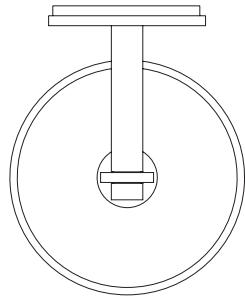


HATTI COLLECTION

WALL SCONCE

SPECIFICATION SHEET

AUSTRALIA / INTERNATIONAL



HT_WS_AU_20V2

ABOUT HATTI

Uniting tradition from the east with contemporary design from the west. Hatti's metal fixture delicately crowns its glass and is available in a muted palette of romantic tones. Tapering smoothly from a flat base to a defined point, the familiar, primary shape casts a shadow of conical light, establishing a sense of subdued atmosphere for the most refined of interiors.

LEAD TIME

6 - 8 weeks

LIGHT SOURCE

9V 350mA dc LED board
2700k warm white
300 lumens
Dimmable
Globe included

INSTALLATION

Supplied with external driver

WEIGHT

2kg

CERTIFICATION

CE/AU

WARRANTY

3 years

FITTING FINISHES

Brass (shown)

Mid Bronze

Satin Nickel

SHADE COLOURS

Aubergine

Clear

Storm

Tea (shown)

White

FLEX CORD COLOURS

Black

White

Natural Linen (shown)

Light Grey Linen

Black and White