

# HATTI COLLECTION

WALL SCONCE

SPECIFICATION SHEET

AUSTRALIA / INTERNATIONAL



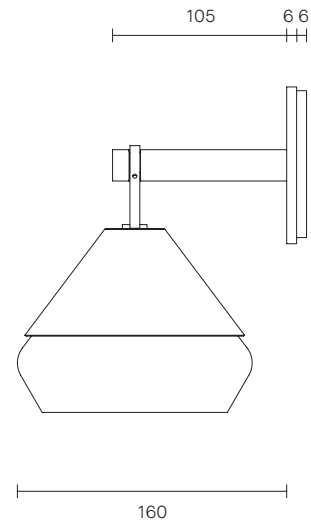
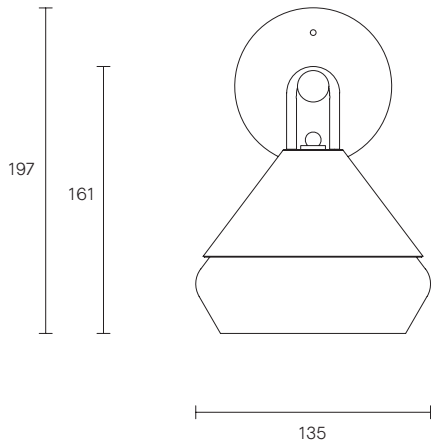
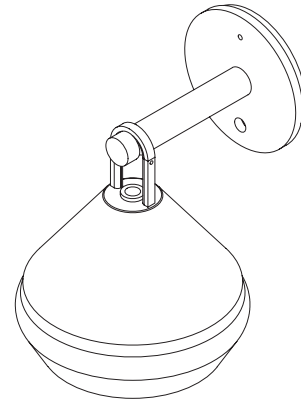
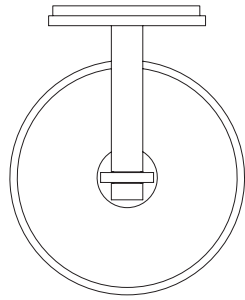
ARTICOLO

# HATTI COLLECTION

WALL SCONCE

## SPECIFICATION SHEET

AUSTRALIA / INTERNATIONAL



HT\_WS\_AU\_20V2

### ABOUT HATTI

Uniting tradition from the east with contemporary design from the west. Hatti's metal fixture delicately crowns its glass and is available in a muted palette of romantic tones. Tapering smoothly from a flat base to a defined point, the familiar, primary shape casts a shadow of conical light, establishing a sense of subdued atmosphere for the most refined of interiors.

### LEAD TIME

6 - 8 weeks

### LIGHT SOURCE

9V 350mA dc LED board  
2700k warm white  
300 lumens  
Dimmable  
Globe included

### INSTALLATION

Supplied with external driver

### WEIGHT

2kg

### CERTIFICATION

CE/AU

### WARRANTY

3 years

### FITTING FINISHES

Brass  
Mid Bronze  
Satin Nickel (shown)

### SHADE COLOURS

Aubergine  
Clear  
Storm  
Tea  
White (shown)

### FLEX CORD COLOURS

Black  
White (shown)  
Natural Linen  
Light Grey Linen  
Black and White