

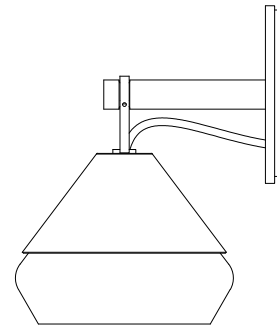
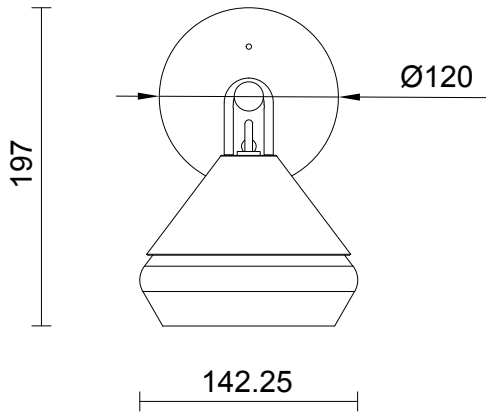
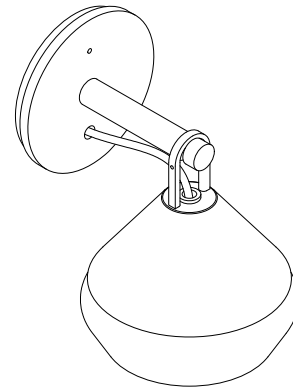
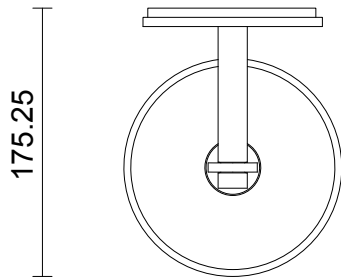


HATTI COLLECTION

WALL SCONCE

SPECIFICATION SHEET

AUSTRALIA / INTERNATIONAL



HT_WS_AU_21V1

ABOUT HATTI

Uniting tradition from the east with contemporary design from the west. Hatti's metal fixture delicately crowns its glass and is available in a muted palette of romantic tones. Tapering smoothly from a flat base to a defined point, the familiar, primary shape casts a shadow of conical light, establishing a sense of subdued atmosphere for the most refined of interiors.

LEAD TIME

6 - 8 weeks

LIGHT SOURCE

9V 350mA DC LED board
2700k warm white
300 lumens
Dimmable

INSTALLATION

Supplied with external driver

WEIGHT

2kg

CERTIFICATION

CE/AU

WARRANTY

3 years

FITTING FINISHES

Brass
Mid Bronze
Satin Nickel
Black Electroplate

SHADE COLOURS

Aubergine
Clear
Storm
Tea
White

FLEX CORD COLOURS

Black
White
Natural Linen
Light Grey Linen
Black and White