

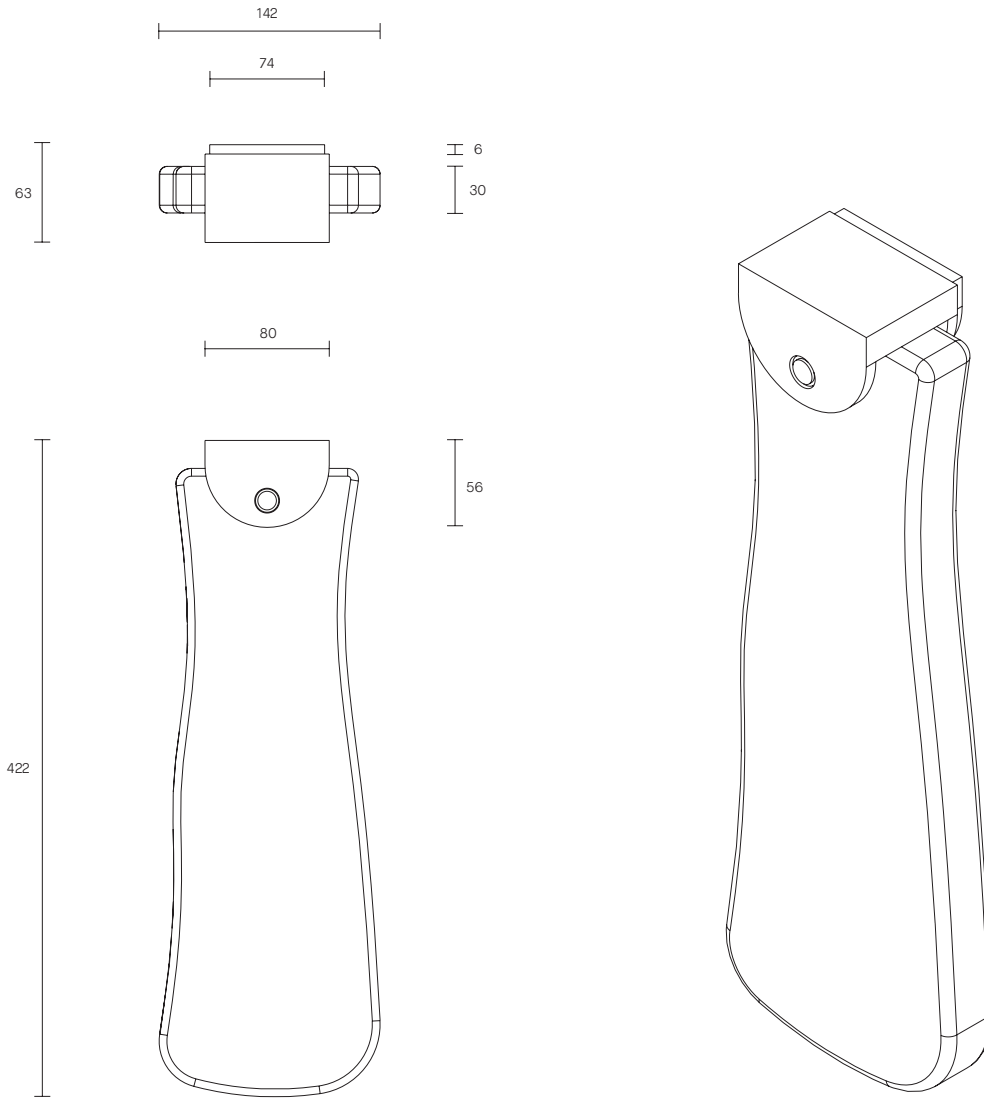


SLAB COLLECTION

WALL SCONCE

SPECIFICATION SHEET

AUSTRALIA / INTERNATIONAL



SL_WS_AU_20V1

ABOUT FIZI SLAB

Slab is a lighting design 12 months in the making. Exploring the artisanal quality of mouth-blown glass to dramatic effect, each sculptural piece is distinguished by its unpredictable, elongated organic form.

Available as both Pendant and Wall Sconce, the striking light has been imagined in clear glass with the addition of striking jewel tones, or in Articolo's signature 'effervescent' mouth-blown finish known as Fizi.

LEAD TIME

6 - 8 weeks

LIGHT SOURCE

24V 1.8W LED strip
3000k warm white
80 lumens

INSTALLATION

Supplied with external driver

WEIGHT

5kg

FITTING FINISH

Brass (shown)
Mid Bronze
Satin Nickel

SHADE COLOURS

Fizi
Grey
Drunken Emerald (shown)
Tea
Ocean

CERTIFICATION

CE/AU

WARRANTY

3 years