

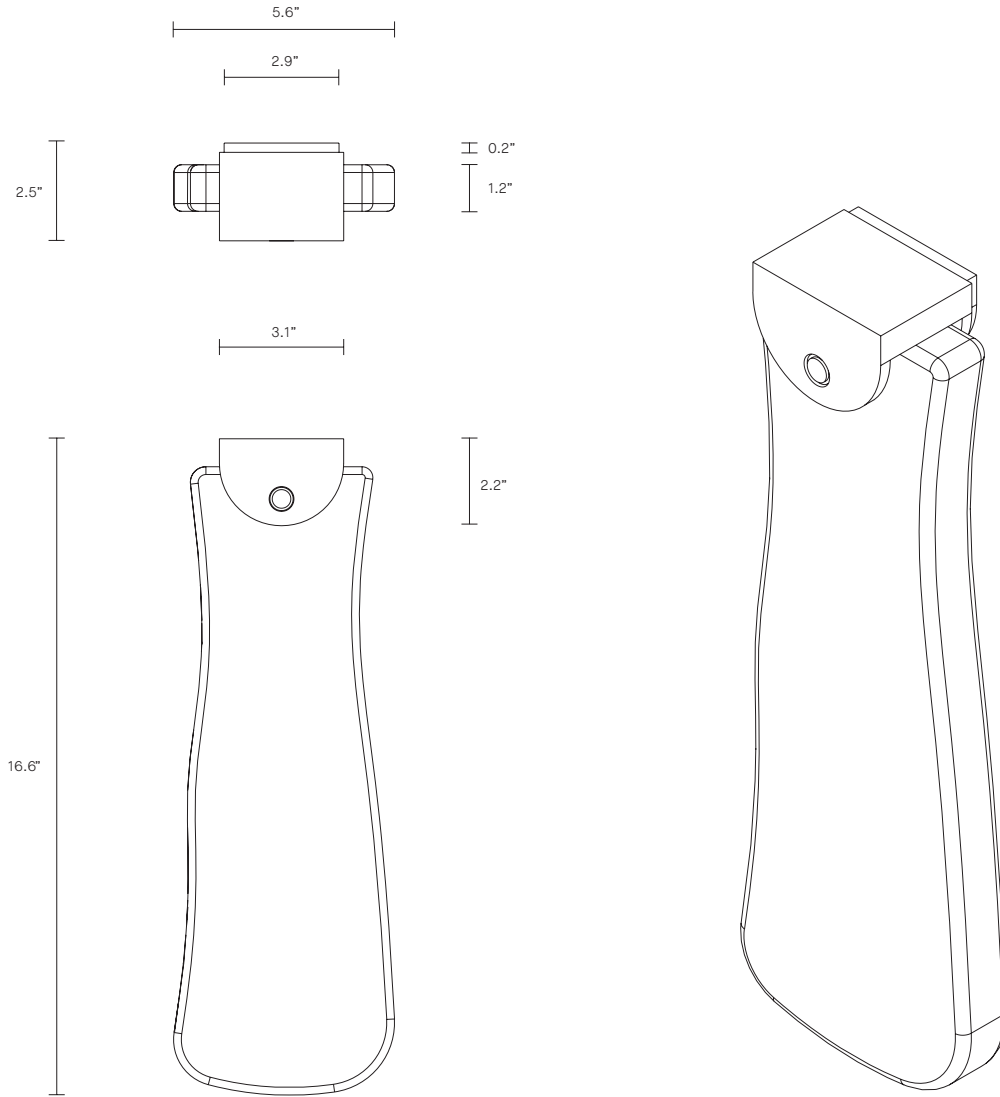


SLAB COLLECTION

WALL SCONCE

UL SPECIFICATION SHEET

NORTH AMERICA



SL_WS_UL_20V1

ABOUT FIZI SLAB

Slab is a lighting design 12 months in the making. Exploring the artisanal quality of mouth-blown glass to dramatic effect, each sculptural piece is distinguished by its unpredictable, elongated organic form.

Available as both Pendant and Wall Sconce, the striking light has been imagined in clear glass with the addition of striking jewel tones, or in Articolo's signature 'effervescent' mouth-blown finish known as Fizi.

LEAD TIME

8 - 10 weeks

LIGHT SOURCE

24V 1.8W LED strip
3000k warm white
80 lumens

INSTALLATION

Supplied with external driver

WEIGHT

11.5 lb

FITTING FINISH

Brass (shown)

Mid Bronze

Satin Nickel

SHADE COLOURS

Fizi

Grey (shown)

Drunken Emerald

Tea

Ocean

CERTIFICATION

US/ETL/CA

WARRANTY

3 years