



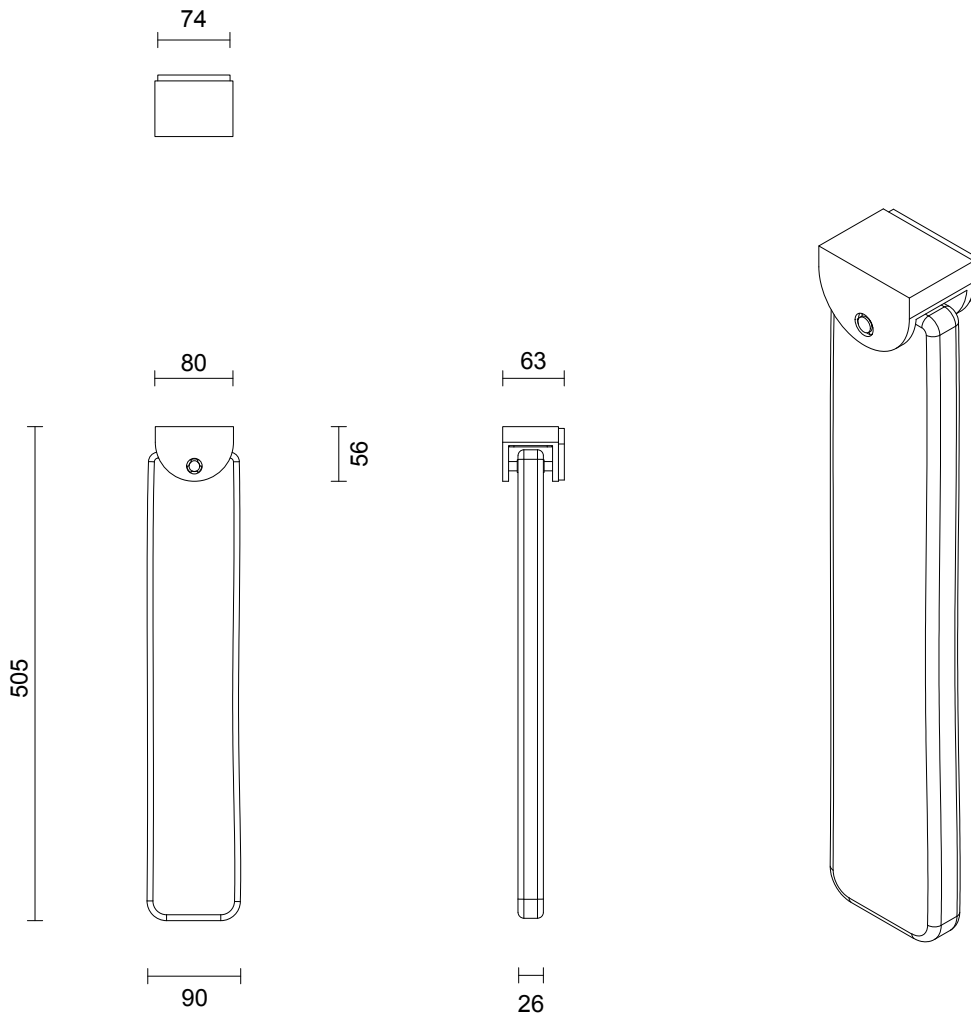
SLAB COLLECTION

WALL SCONCE

SPECIFICATION SHEET

AUSTRALIA / INTERNATIONAL

SL_WS_AU_21V4



ABOUT SLAB

The Slab Collection is breathtaking sculptural art forms of wall and ceiling jewellery. Jewel tones of colour suspended in solid glass sculptural form. Echanting artisanal jewellery'esque sophistication.

LEAD TIME

6 - 8 weeks

LIGHT SOURCE

4.25W CC LED Board 0.5A
2700k warm white
400 lumens

INSTALLATION

Supplied with external driver

WEIGHT

5kg

FITTING FINISH

Brass
Mid Bronze
Satin Nickel
Black Electroplate

SHADE COLOURS

Fizi
Grey
Drunken Emerald
Tea
Abyss

CERTIFICATION

CE/AU

WARRANTY

3 years