

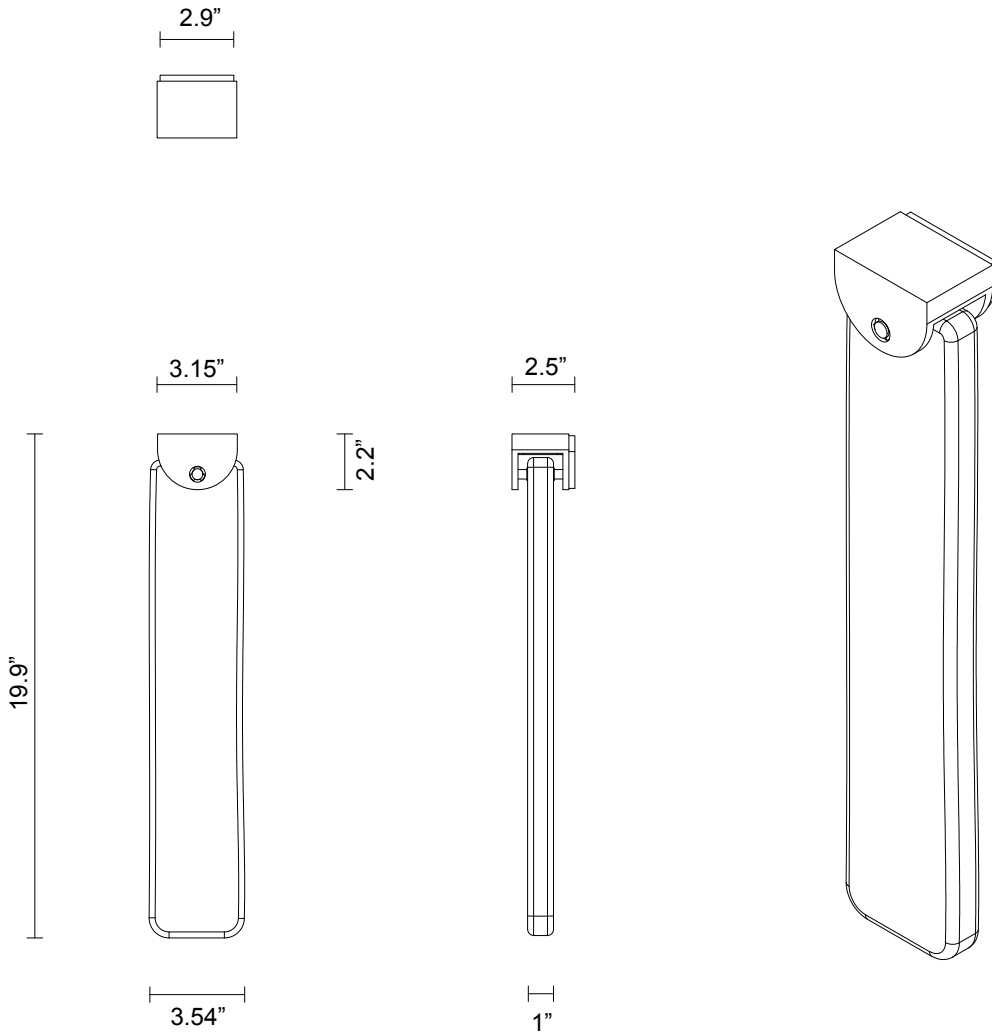


SLAB COLLECTION

WALL SCONCE

SPECIFICATION SHEET

NORTH AMERICA



SL_WS_UL_21V2

ABOUT SLAB

The Slab Collection is breathtaking sculptural art forms of wall and ceiling jewellery. Jewel tones of colour suspended in solid glass sculptural form. Echanting artisanal jewellery'esque sophistication.

LEAD TIME

8 - 10 weeks

LIGHT SOURCE

24V 1.8W LED strip
3000k warm white
80 lumens

INSTALLATION

Supplied with external driver

WEIGHT

11.5 lb

CERTIFICATION

US/ETL/CA

WARRANTY

3 years

FITTING FINISH

Brass
Mid Bronze
Satin Nickel
Black Electroplate

SHADE COLOURS

Fizi
Grey
Drunken Emerald
Tea
Ocean