

# SLIM COLLECTION

PENDANT

SPECIFICATION SHEET

AUSTRALIA / INTERNATIONAL



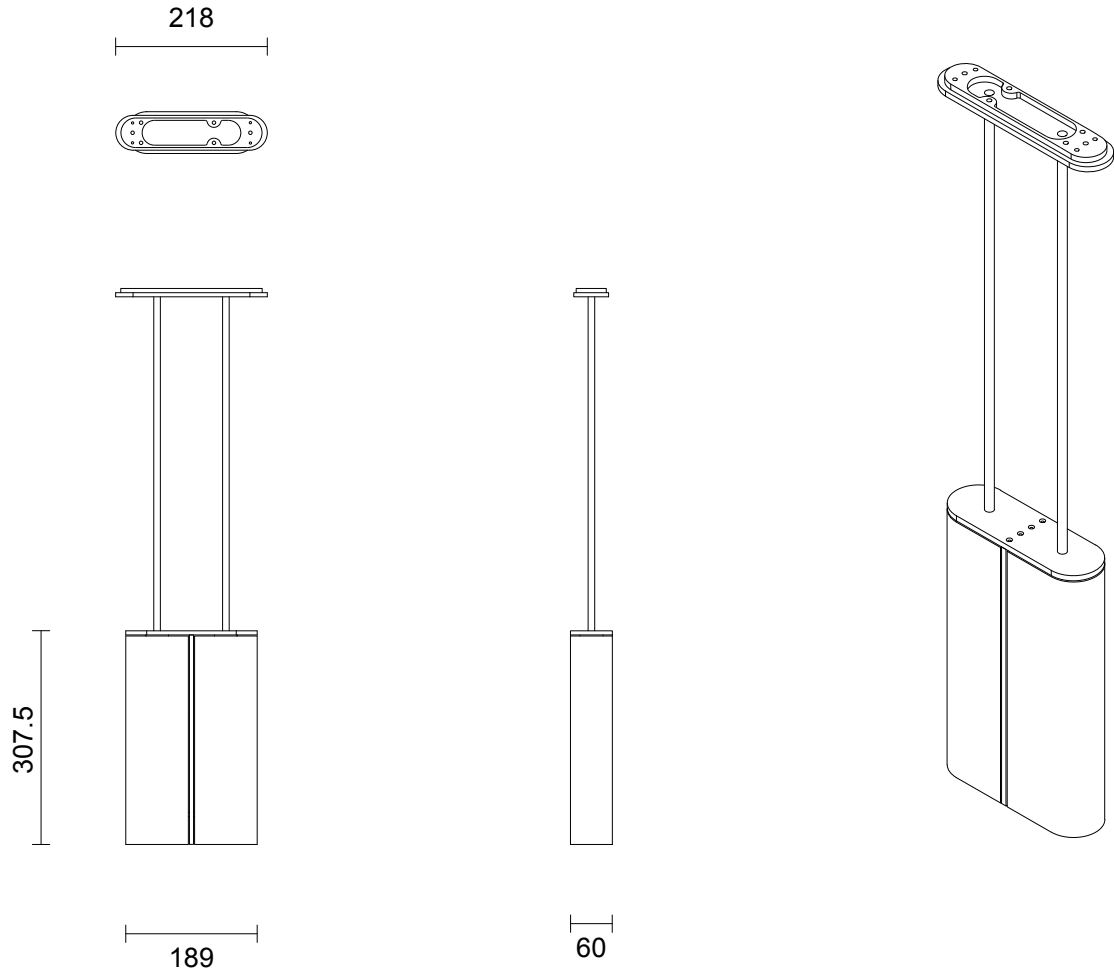
ARTICOLO

# SLIM COLLECTION

## PENDANT

# SPECIFICATION SHEET

AUSTRALIA / INTERNATIONAL



SL\_P\_AU\_21V2

### ABOUT SLIM

Inspired by the sophisticated high life depicted in Slim Aaron's famed Palm Springs photography, 'Slim' reinterprets mid-century Californian modernism in architectural form and refined simplicity. The arresting restraint of Slim evokes effortless glamour. Its light source is housed within an elongated arch of mouth blown glass and framed in hand finished metalwork by local artisan's.

### LEAD TIME

6 - 8 weeks

### LIGHT SOURCE

2 x 4.2W LED Board 350mA CC  
2700k warm white  
800 total lumen output

### INSTALLATION

Supplied with external driver

### CUSTOMISATION

Standard drop length up to 1200mm. Additional charge will apply for longer drop lengths, price upon request. Variations to rod length can be specified at time of order placement

### WEIGHT

5kg

### FITTING FINISHES

Brass  
Mid Bronze  
Satin Nickel  
Black Electroplate

### SHADE COLOURS

White Frost  
White Gloss  
Grey  
Clear

### CERTIFICATION

CE/AU

### WARRANTY

3 years