

# SLIM COLLECTION

PENDANT

SPECIFICATION SHEET

AUSTRALIA / INTERNATIONAL



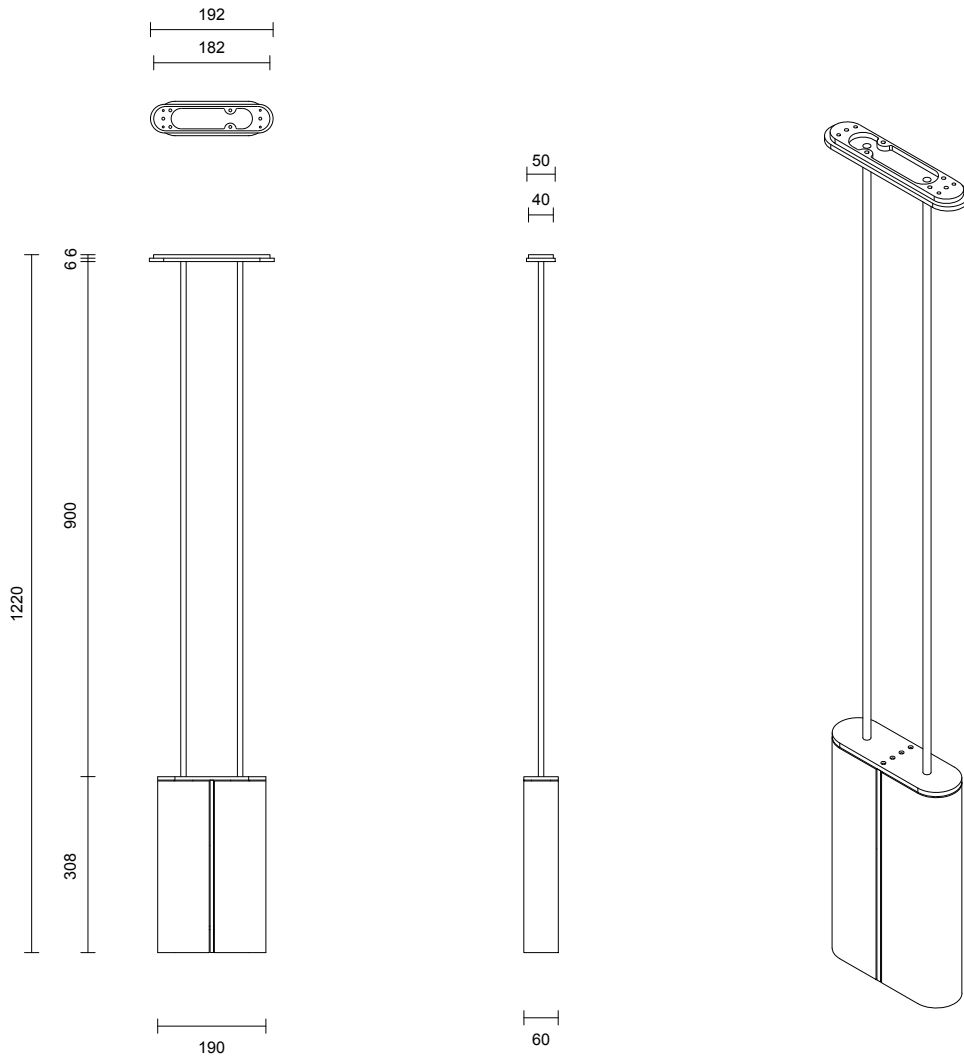
ARTICOLO

# SLIM COLLECTION

## PENDANT

# SPECIFICATION SHEET

AUSTRALIA / INTERNATIONAL



SL\_P\_AU\_22V1

### ABOUT SLIM

Inspired by the sophisticated high life depicted in Slim Aaron's famed Palm Springs photography, 'Slim' reinterprets mid-century Californian modernism in architectural form and refined simplicity. The arresting restraint of Slim evokes effortless glamour. Its light source is housed within an elongated arch of mouth blown glass and framed in hand finished metalwork by local artisan's.

### LEAD TIME

6 - 8 weeks

### LIGHT SOURCE

2 x 4.2W LED Board 350mA CC  
2700k warm white  
800 total lumen output  
Dimmable

### INSTALLATION

Supplied with external driver

### ROD LENGTH

Rod lengths range between  
600mm - 1300mm, in  
increments of 100mm.

### WEIGHT

5kg

### FITTING FINISHES

Brass  
Mid Bronze  
Satin Nickel  
Anodised Black

### SHADE COLOURS

Snow  
White Gloss  
Grey  
Clear  
Natural Porcelain  
Grey Porcelain  
Black Porcelain

### CERTIFICATION

CE/AU

### WARRANTY

3 years