

SLIM COLLECTION

PENDANT

SPECIFICATION SHEET

NORTH AMERICA



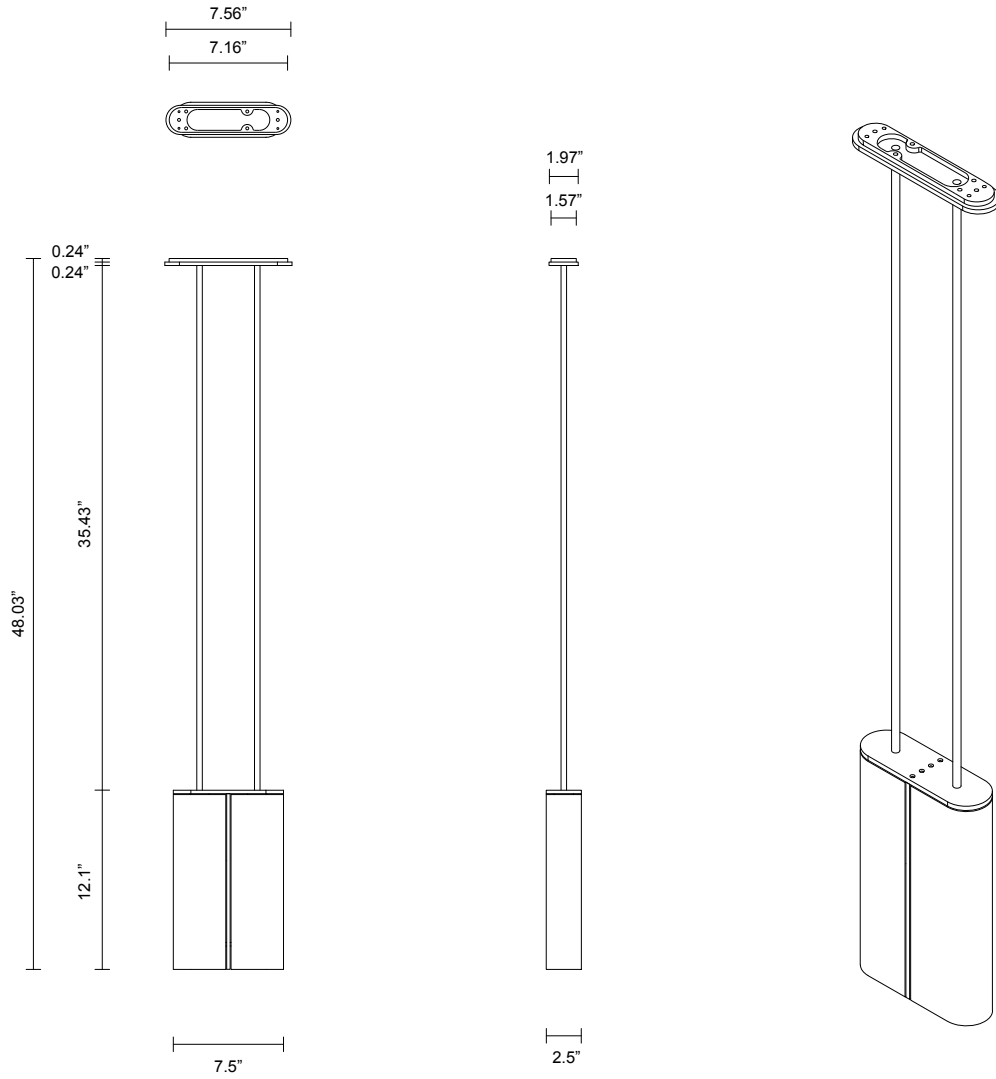
ARTICOLO

SLIM COLLECTION

PENDANT

SPECIFICATION SHEET

NORTH AMERICA



SL_P_UL_21V7

ABOUT SLIM

Inspired by the sophisticated high life depicted in Slim Aaron's famed Palm Springs photography, 'Slim' reinterprets mid-century Californian modernism in architectural form and refined simplicity. The arresting restraint of Slim evokes effortless glamour. Its light source is housed within an elongated arch of mouth blown glass and framed in hand finished metalwork by local artisan's.

LEAD TIME

8 - 10 weeks

LIGHT SOURCE

2 x 4.2W LED Board
350mA CC
2700k warm white
800 total lumen output
Dimmable

INSTALLATION

Supplied with external driver and mounting plate to fit 4.0/3.5 Jbox

ROD LENGTH

Rod lengths range between 23.6" (600mm) - 51.2" (1300mm), in increments of 3.94" (100mm).

WEIGHT

11.5 lb

FITTING FINISHES

Brass
Mid Bronze
Satin Nickel
Black Electroplate

SHADE COLOURS

Snow
White Gloss
Grey
Clear

CERTIFICATION

US/ETL/CA

WARRANTY

3 years