

SLIM COLLECTION

PENDANT

SPECIFICATION SHEET

NORTH AMERICA



ARTICOLO

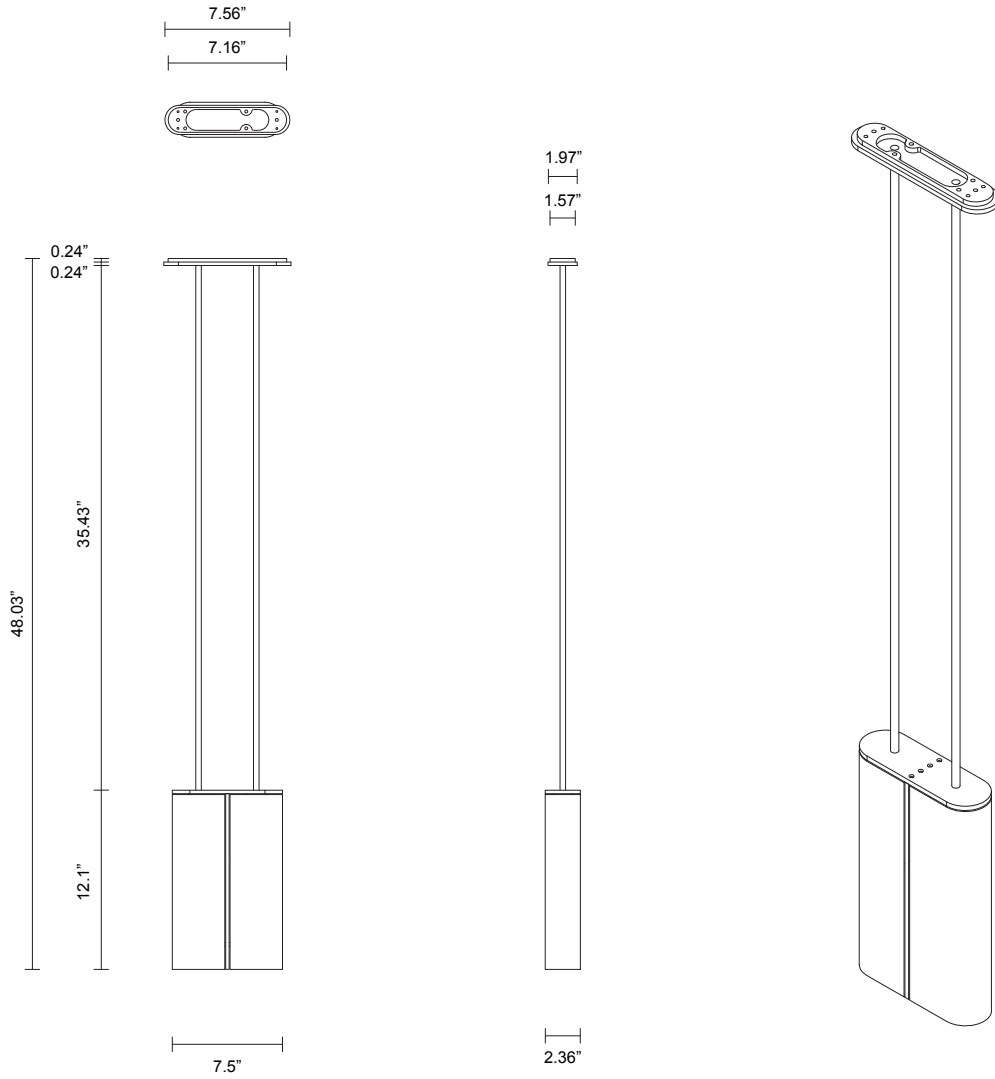
SLIM COLLECTION

PENDANT

SPECIFICATION SHEET

NORTH AMERICA

SL_P_UL_22V1



ABOUT SLIM

Slim reinterprets mid-century modernism in its architectural form and refined simplicity. The arresting restraint of its elongated arch of mouth blown glass houses the light source and is framed in hand finished metalwork.

LEAD TIME

8 - 10 weeks

LIGHT SOURCE

2 x 4.2W LED Board
350mA CC
2700k warm white
800 total lumen output
Dimmable

INSTALLATION

Supplied with external driver and mounting plate to fit 4.0/3.5 Jbox

ROD LENGTH

Rod lengths range between 23.6" (600mm) - 51.2" (1300mm), in increments of 3.94" (100mm).

WEIGHT

11.5 lb

FITTING FINISHES

Brass
Mid Bronze
Satin Nickel
Anodised Black

SHADE COLOURS

Snow
Grey
Clear
Natural Porcelain
Grey Porcelain
Black Porcelain

CERTIFICATION

US/ETL/CA

WARRANTY

3 years