

# SLAB COLLECTION

PENDANT

SPECIFICATION SHEET

AUSTRALIA / INTERNATIONAL



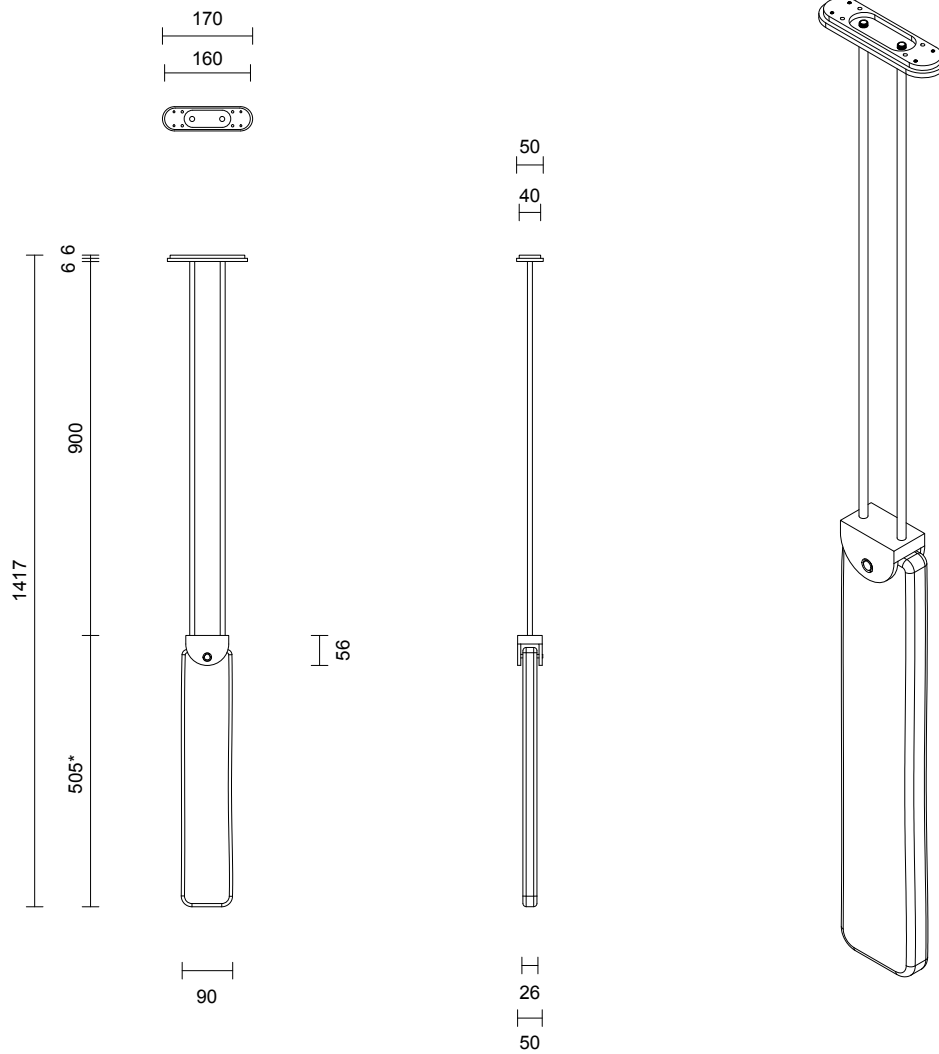
ARTICOLO

# SLAB COLLECTION

## PENDANT

# SPECIFICATION SHEET

AUSTRALIA / INTERNATIONAL



SL\_P\_AU\_21V6

### ABOUT SLAB

The Slab Collection is breathtaking sculptural art forms of wall and ceiling jewellery. Jewel tones of colour suspended in solid glass sculptural form. Echanting artisanal jewellery'esque sophistication.

### \* PLEASE NOTE

Shade dimensions inclusive of overall height may vary marginally due to the nature of mouth blown glass.

### LEAD TIME

6 - 8 weeks

### LIGHT SOURCE

4.25W CC LED Board 0.5A  
2700k warm white  
400 lumens  
Dimmable

### INSTALLATION

Supplied with external driver

### ROD LENGTH

Rod lengths range between 600mm - 1300mm, in increments of 100mm.

### WEIGHT

5kg

### FITTING FINISHES

Brass  
Mid Bronze  
Satin Nickel  
Black Electroplate

### SHADE COLOURS

Fizi  
Grey  
Drunken Emerald  
Tea  
Abyss

### CERTIFICATION

CE/AU

### WARRANTY

3 years