

SLAB COLLECTION

PENDANT

SPECIFICATION SHEET

AUSTRALIA / INTERNATIONAL



ARTICOLO

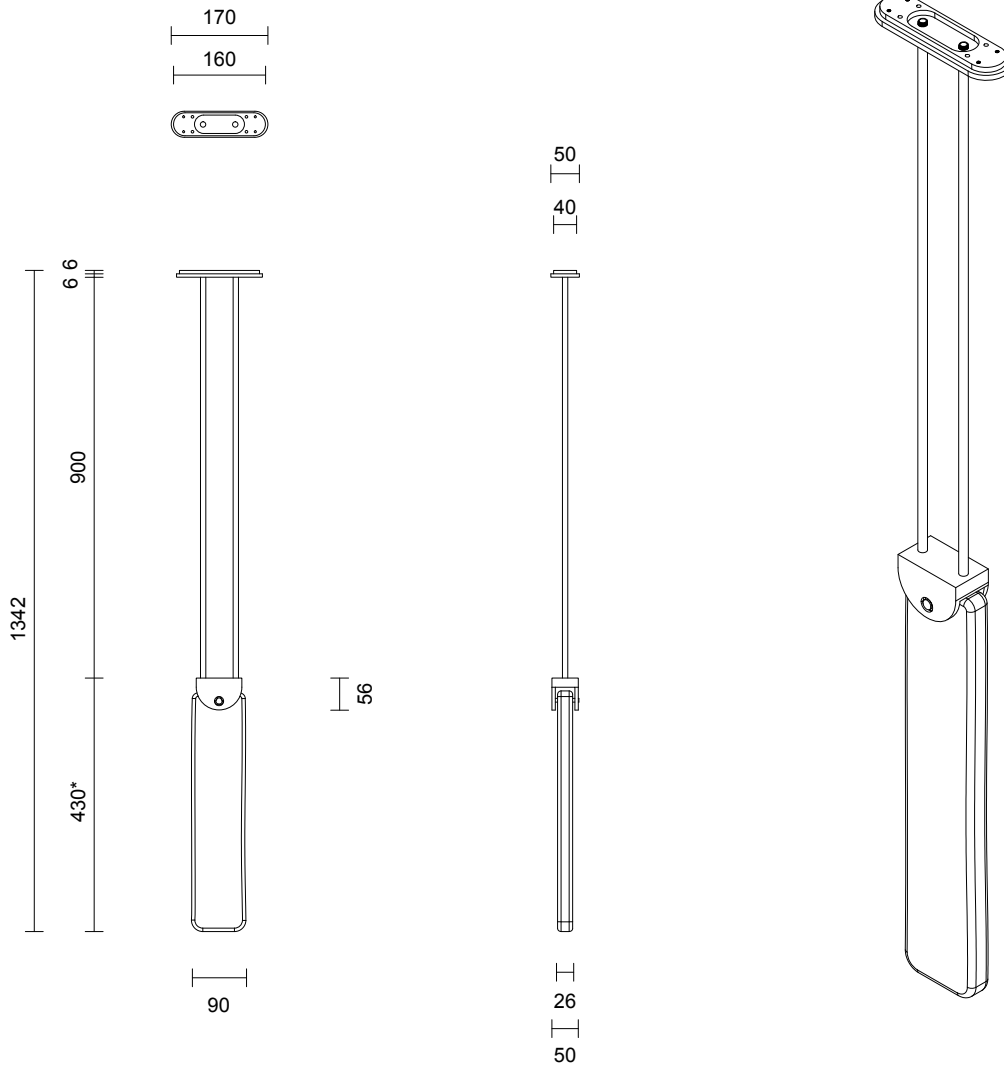
SLAB COLLECTION

PENDANT

SPECIFICATION SHEET

AUSTRALIA / INTERNATIONAL

SL_P_AU_21V7



ABOUT SLAB

The Slab Collection is breathtaking sculptural art forms of wall and ceiling jewellery. Jewel tones of colour suspended in solid glass sculptural form. Echanting artisanal jewellery'esque sophistication.

* PLEASE NOTE

Shade dimensions inclusive of overall height may vary marginally due to the nature of mouth blown glass.

LEAD TIME

6 - 8 weeks

LIGHT SOURCE

4.25W CC LED Board 0.5A
2700k warm white
400 lumens
Dimmable

INSTALLATION

Supplied with external driver

ROD LENGTH

Rod lengths range between 600mm - 1300mm, in increments of 100mm.

WEIGHT

5kg

FITTING FINISHES

Brass
Mid Bronze
Satin Nickel
Black Electroplate

SHADE COLOURS

Fizi
Grey
Drunken Emerald
Tea
Abyss

CERTIFICATION

CE/AU

WARRANTY

3 years