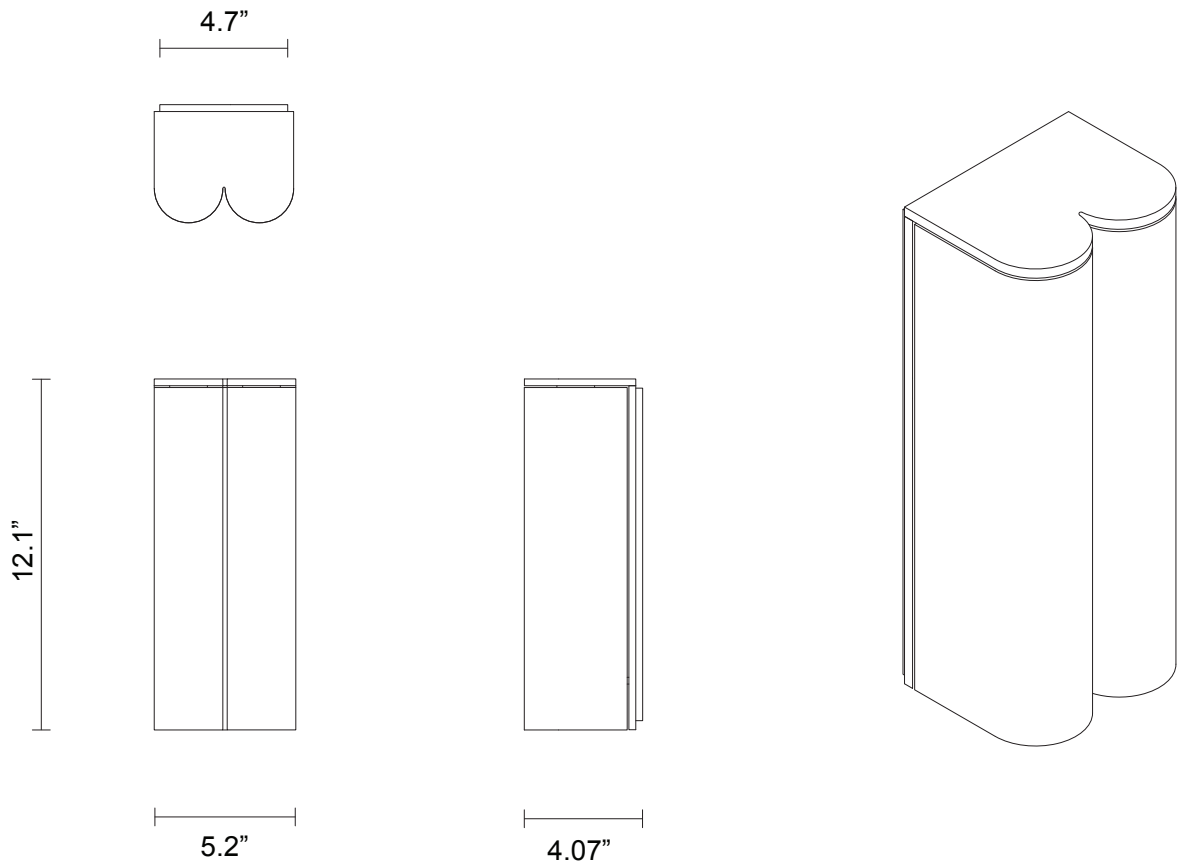




SLIM COLLECTION  
SIDE X SIDE WALL SCNCE

SPECIFICATION SHEET  
NORTH AMERICA



SL\_SXSWS\_UL\_21V1

**ABOUT SLIM**

Inspired by the sophisticated high life depicted in Slim Aaron's famed Palm Springs photography, 'Slim' reinterprets mid-century Californian modernism in architectural form and refined simplicity. The arresting restraint of Slim evokes effortless glamour. Its light source is housed within an elongated arch of mouth blown glass and framed in hand finished metalwork by local artisan's.

**LEAD TIME**

8 - 10 weeks

**LIGHT SOURCE**

2 x 12VDC 500mA CC LED board  
2700k warm white  
860 total lumen output

**INSTALLATION**

Supplied with external driver and mounting plate to fit 4.0/3.5 Jbox

**WEIGHT**

14.3 lb

**CERTIFICATION**

US/ETL/CA

**WARRANTY**

3 years

**FITTING FINISHES**

Brass  
Mid Bronze  
Satin Nickel  
Black Electroplate

**SHADE COLOURS**

White Frost  
White Gloss  
Grey  
Clear