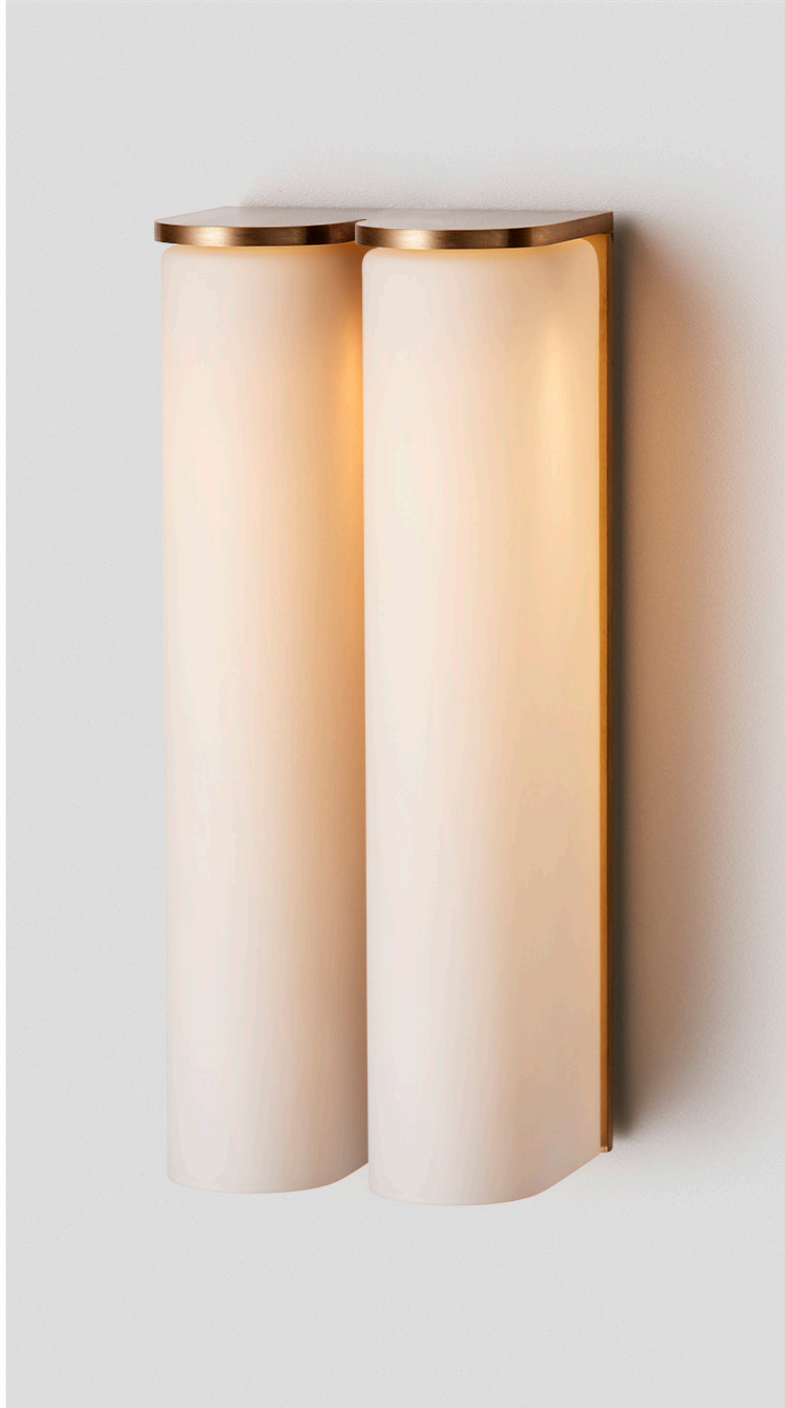


SLIM COLLECTION
SIDE X SIDE WALL SCONCE

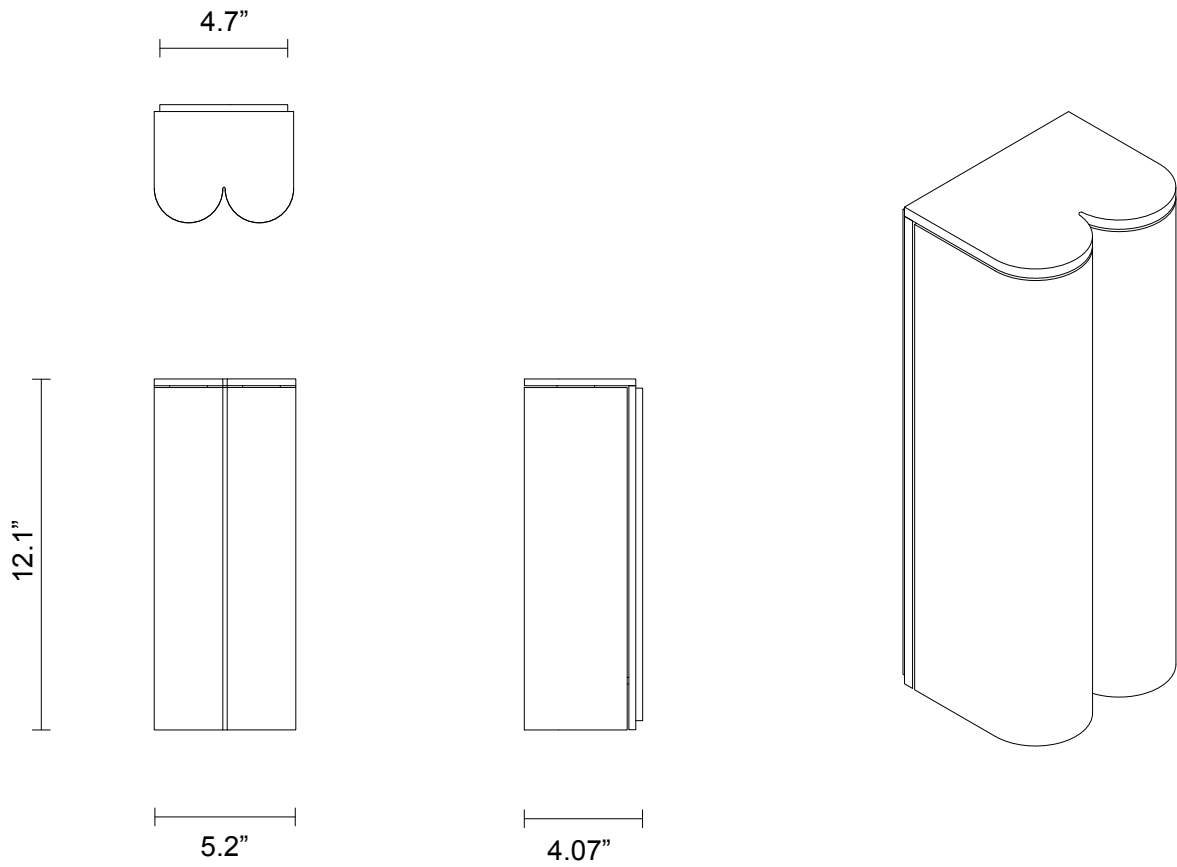
SPECIFICATION SHEET
NORTH AMERICA



ARTICOLO

SLIM COLLECTION
SIDE X SIDE WALL SCONCE

SPECIFICATION SHEET
NORTH AMERICA



SL_SXSWS_UL_21V1

ABOUT SLIM

Inspired by the sophisticated high life depicted in Slim Aaron's famed Palm Springs photography, 'Slim' reinterprets mid-century Californian modernism in architectural form and refined simplicity. The arresting restraint of Slim evokes effortless glamour. Its light source is housed within an elongated arch of mouth blown glass and framed in hand finished metalwork by local artisan's.

LEAD TIME

8 - 10 weeks

LIGHT SOURCE

2 x 12VDC 500mA CC LED board
2700k warm white
860 total lumen output

INSTALLATION

Supplied with external driver
and mounting plate to fit
4.0/3.5 Jbox

WEIGHT

14.3 lb

CERTIFICATION

US/ETL/CA

WARRANTY

3 years

FITTING FINISHES

Brass
Mid Bronze
Satin Nickel
Black Electroplate

SHADE COLOURS

White Frost
White Gloss
Grey