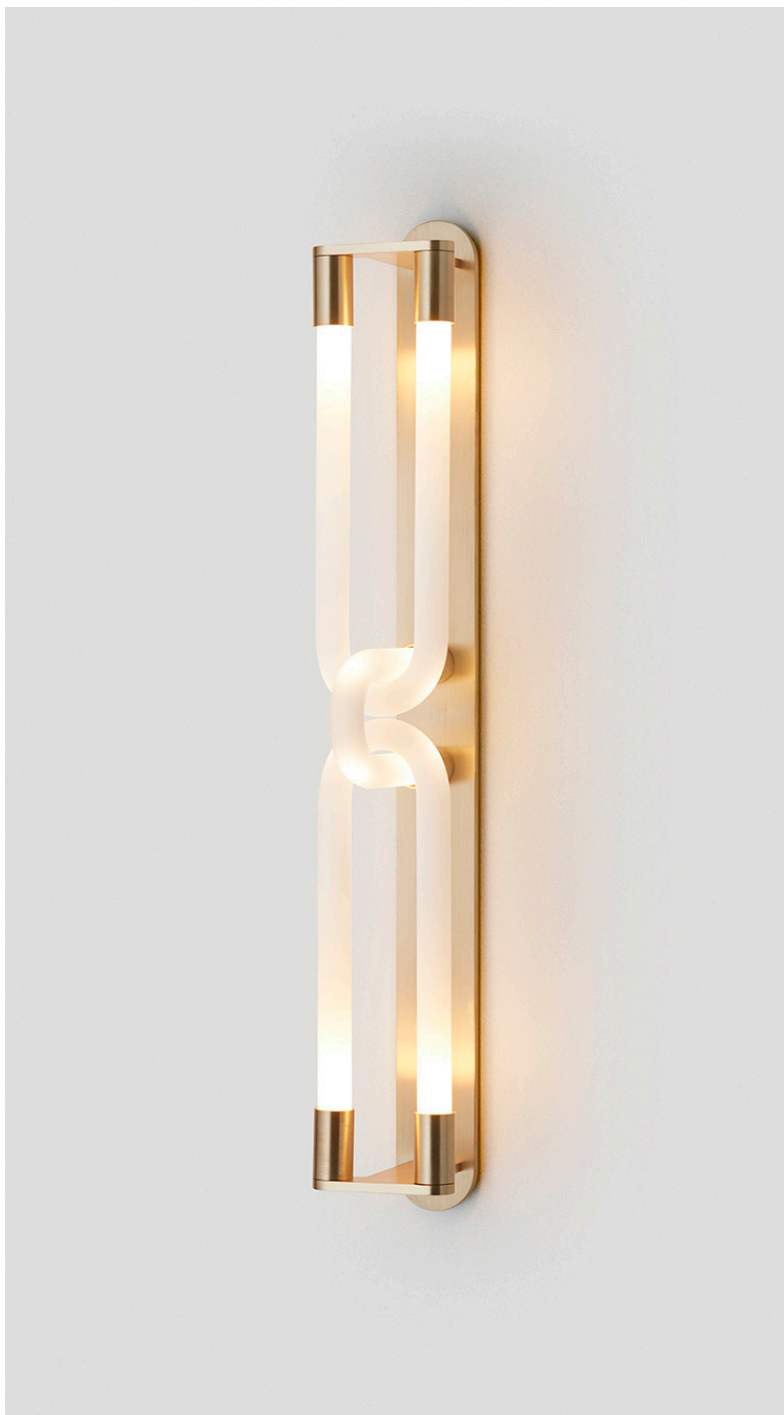


LOOPI COLLECTION
DOUBLE WALL SCONCE

SPECIFICATION SHEET
AUSTRALIA / INTERNATIONAL



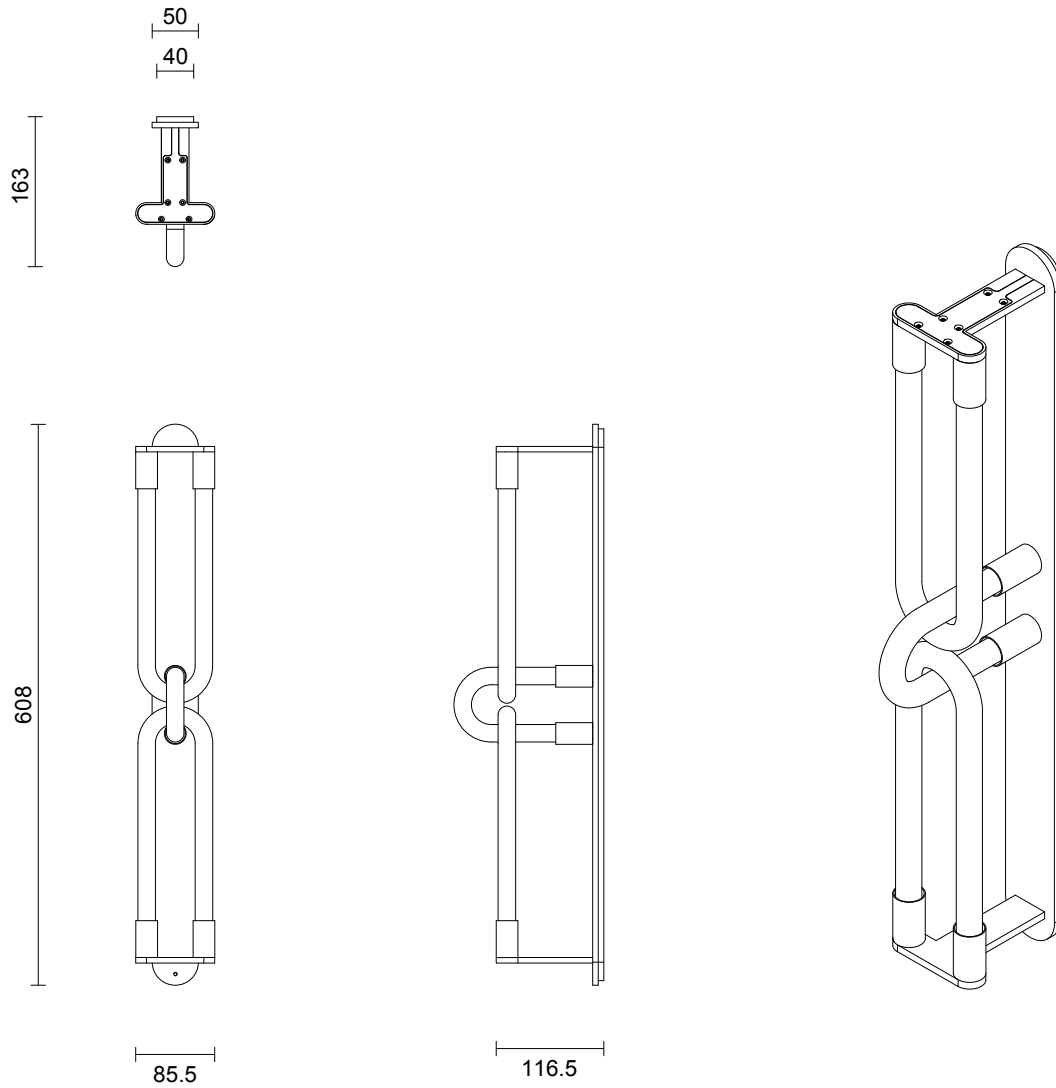
ARTICOLO

LOOPI COLLECTION

DOUBLE WALL SCONCE

SPECIFICATION SHEET

AUSTRALIA / INTERNATIONAL



LP_DWS_AU_21V1

ABOUT LOOPI

The Loopi Collection is a romantic interpretation of linking fingers and the youthful sincerity of a 'pinky promise'. Conceived of a 'braided' design of interlocking glass loops uniting a delicate balance of sculptural light art, confident in shape and form, yet quietly sophisticated.

LEAD TIME

6 - 8 weeks

LIGHT SOURCE

6 x 6VDC LED Board
350mA CC
2700K warm white
1500lm total output

INSTALLATION

Supplied with external driver

WEIGHT

4kg

CERTIFICATION

CE/AU

WARRANTY

3 years

FITTING FINISHES

Brass
Mid Bronze
Satin Nickel
Black Electroplate

SHADE COLOURS

Snow