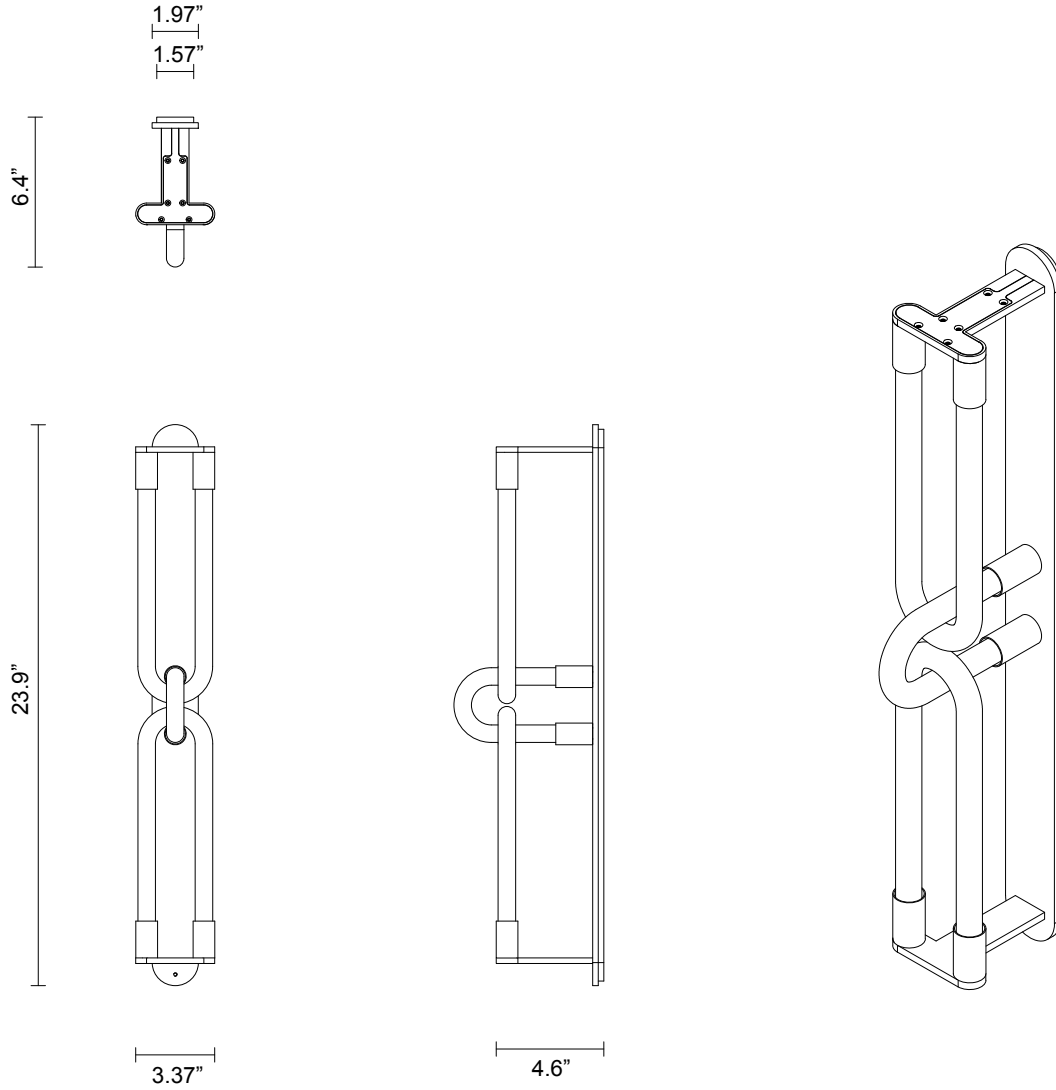


# LOOPI COLLECTION

## DOUBLE WALL SCONCE

# SPECIFICATION SHEET

NORTH AMERICA



LP\_DWS\_UL\_21V1

### ABOUT LOOPI

The Loopi Collection is a romantic interpretation of linking fingers and the youthful sincerity of a 'pinky promise'. Conceived of a 'braided' design of interlocking glass loops uniting a delicate balance of sculptural light art, confident in shape and form, yet quietly sophisticated.

### LEAD TIME

8 - 10 weeks

### LIGHT SOURCE

4 x 6VDC LED Board  
350mA CC  
2700K warm white  
1500lm total output

### INSTALLATION

Supplied with external driver and mounting plate to fit 4.0/3.5 Jbox

### WEIGHT

9 lb

### CERTIFICATION

US/ETL/CA

### WARRANTY

3 years

### FITTING FINISHES

Brass  
Mid Bronze  
Satin Nickel  
Black Electroplate

### SHADE COLOURS

Snow