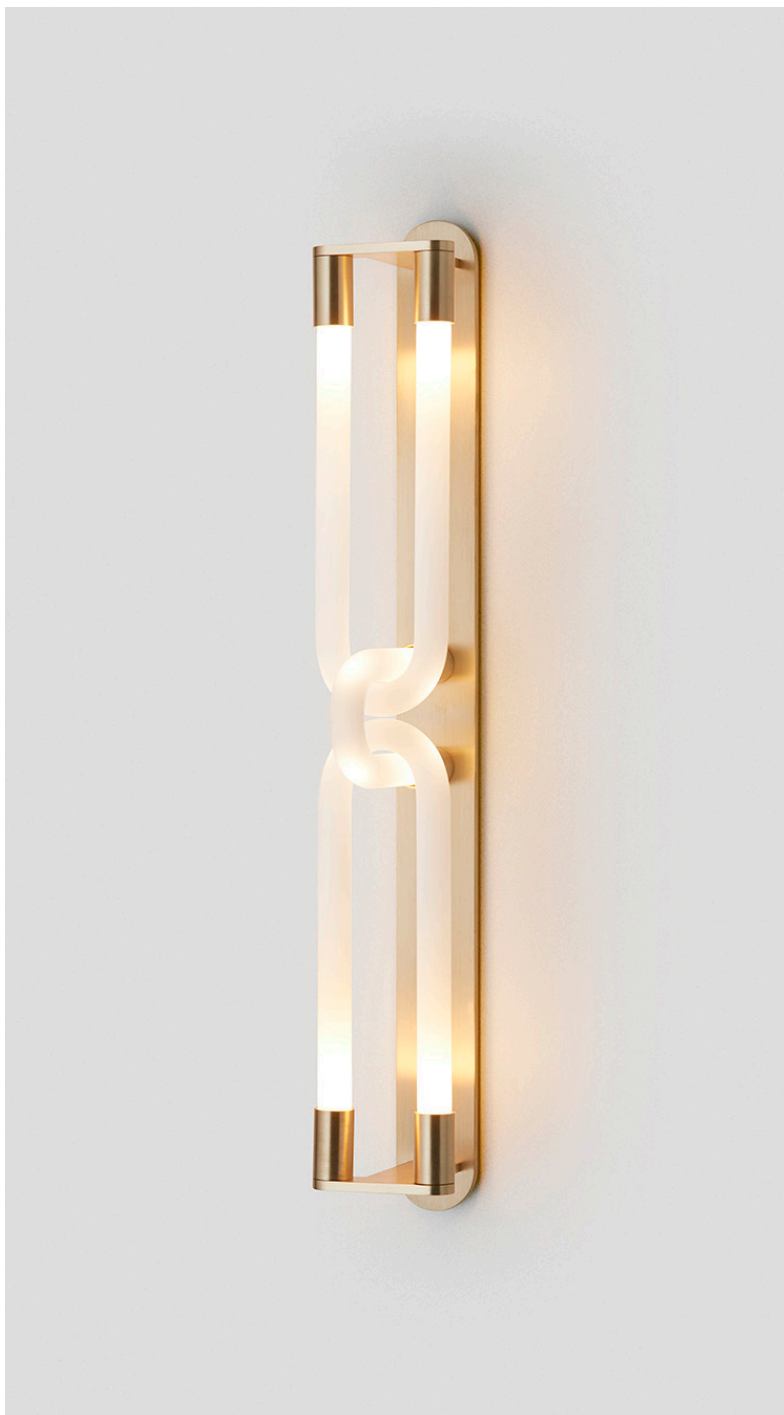


LOOPI COLLECTION
DOUBLE WALL SCONCE

SPECIFICATION SHEET
NORTH AMERICA



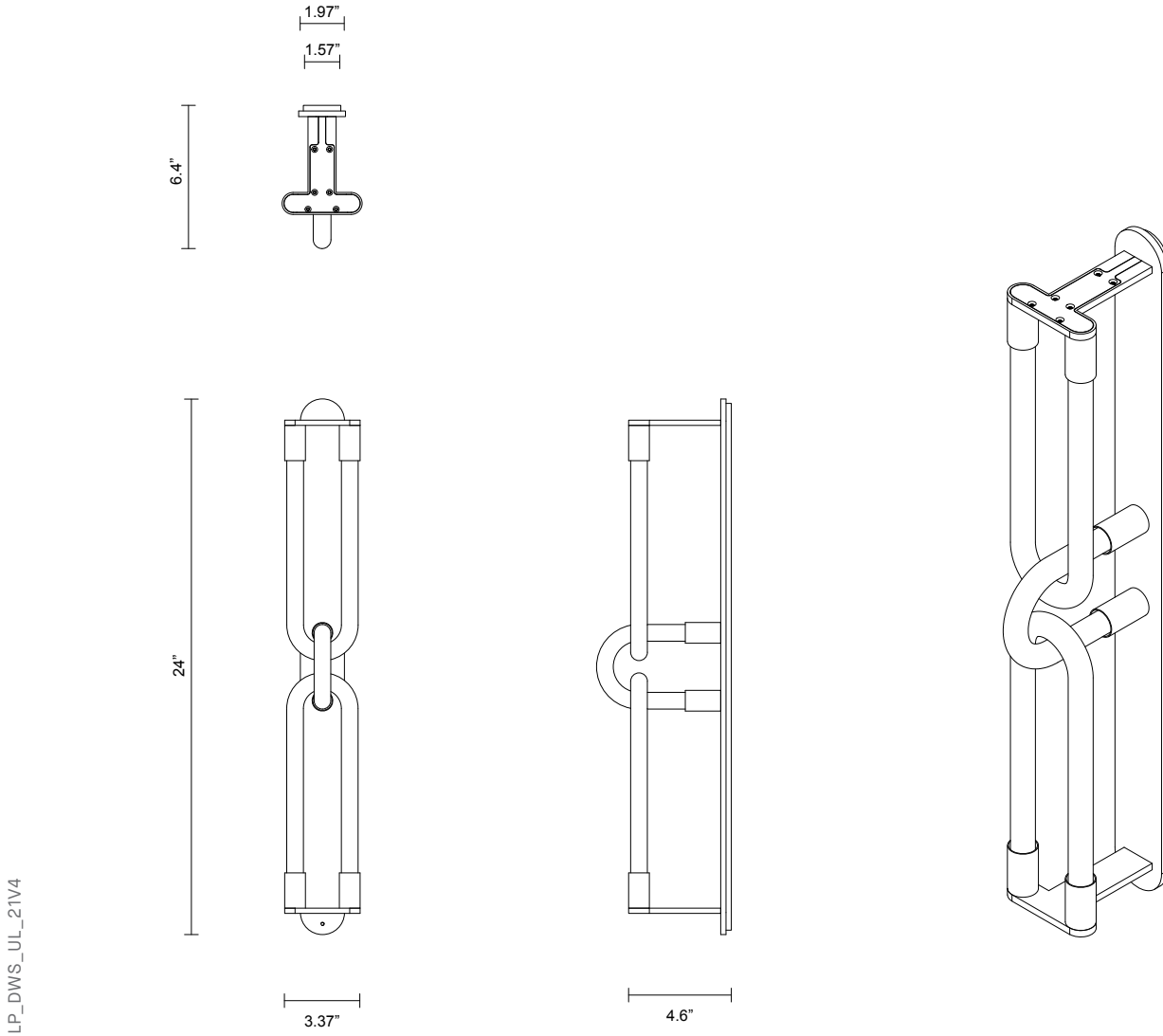
ARTICOLO

LOOPI COLLECTION

DOUBLE WALL SCONCE

SPECIFICATION SHEET

NORTH AMERICA



ABOUT LOOPI

The Loopi Collection is a romantic interpretation of linking fingers and the youthful sincerity of a 'pinky promise'. Conceived of a 'braided' design of interlocking glass loops uniting a delicate balance of sculptural light art, confident in shape and form, yet quietly sophisticated.

LEAD TIME

8 - 10 weeks

LIGHT SOURCE

6 x 2.1W LED Board 350mA CC
2700K warm white
1200lm total output
Dimmable

INSTALLATION

Supplied with external driver
and mounting plate to fit
4.0/3.5 Jbox

WEIGHT

9 lb

CERTIFICATION

US/ETL/CA

WARRANTY

3 years

FITTING FINISHES

Brass
Mid Bronze
Satin Nickel
Black Electroplate

SHADE COLOURS

Snow