

SCANDAL COLLECTION

TABLE LAMP

SPECIFICATION SHEET

AUSTRALIA / INTERNATIONAL



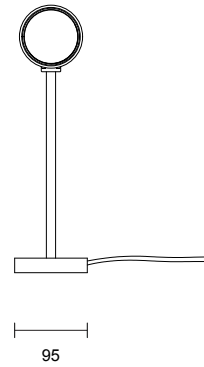
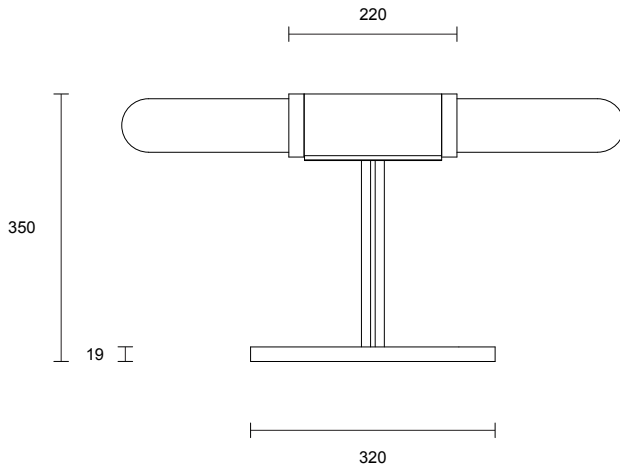
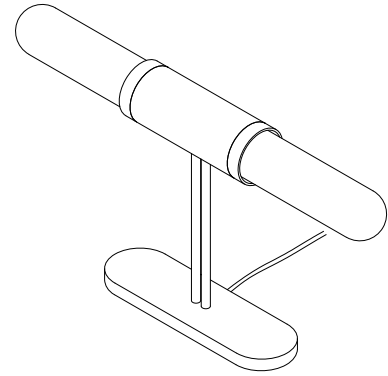
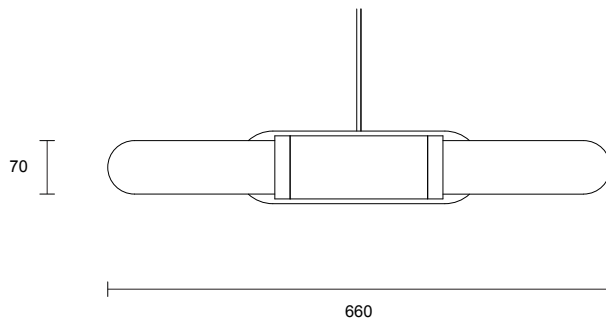
ARTICOLO

SCANDAL COLLECTION

TABLE LAMP

SPECIFICATION SHEET

AUSTRALIA / INTERNATIONAL



SA_TL_AU_22V1

ABOUT SCANDAL

The unification of luxurious crafts exists through the Scandal Collection. Scandal casts a slim and finely considered silhouette. Notable for its barrel-like cuff and inlay Scandal's elongated proportions are capped end-to-end by rounded mouthblown glass that conceals the light source, exemplifying the quiet brilliance of artisanal glass and metalwork.

LEAD TIME

6 - 8 weeks

LIGHT SOURCE

2 x GU10 7W LED 35°
3000K warm white
1000 total lumen output
Lamps included

WEIGHT

7kg

CERTIFICATION

CE/AU

WARRANTY

3 years

FITTING FINISHES

Brass
Mid Bronze
Satin Nickel
Black Electroplate

INLAY

Brass Mesh
Silver Mesh
Rose Gold Mesh
Latte Leather
Navy Leather

SHADE COLOURS

Snow
Clear Fluted

FLEX COLOURS

White
Black
Natural Linen
Mid Grey Linen
Black and White